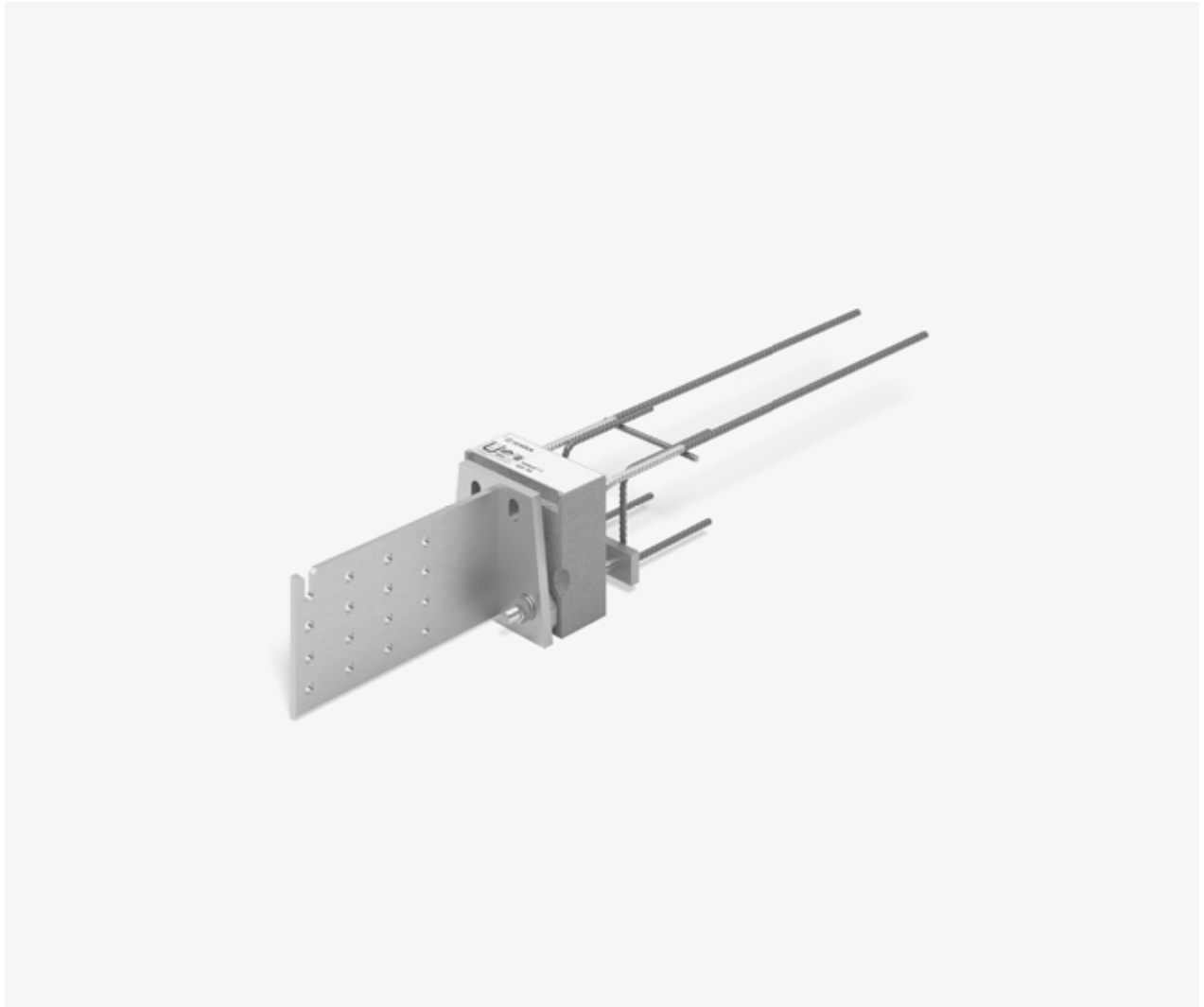


Schöck Isokorb® T type SQ with steel sword

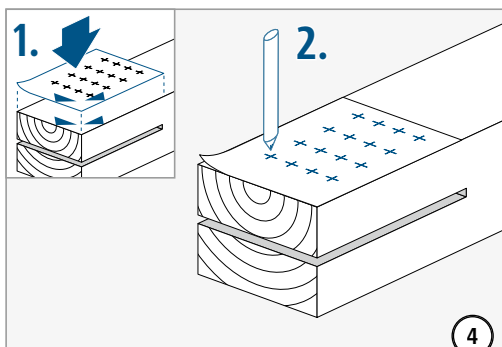
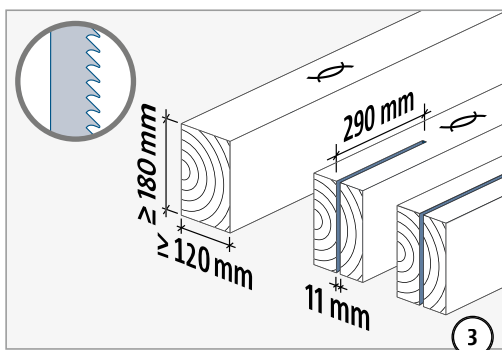
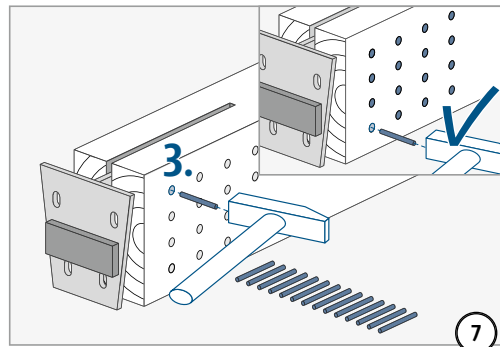
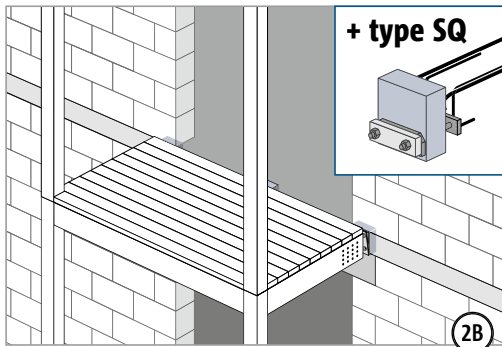
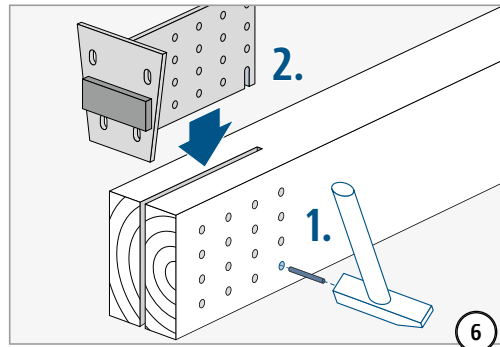
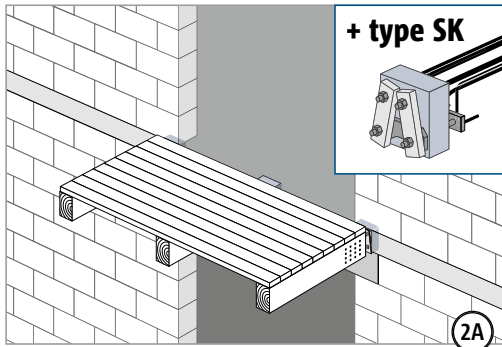
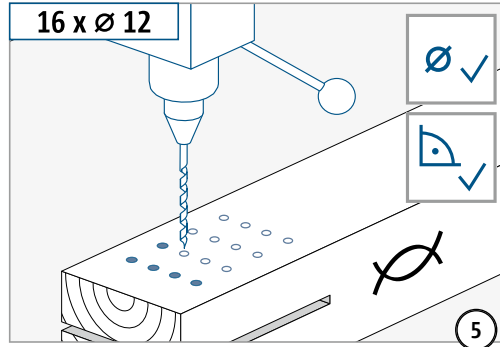
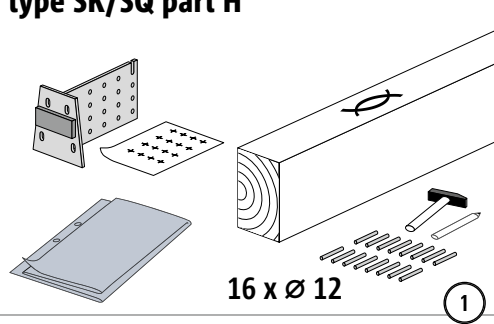


T
type SQ

Timber – reinforced concrete

Installation instructions – carpentry shop

type SK/SQ part H

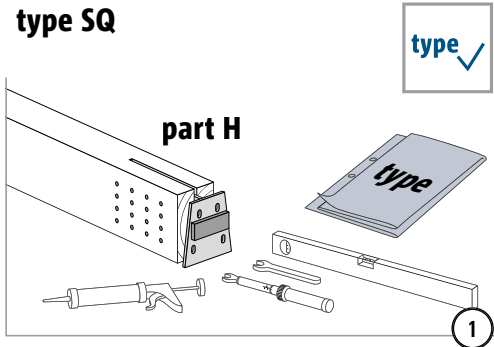


T
type SQ

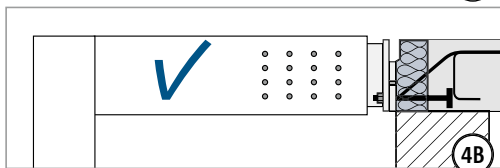
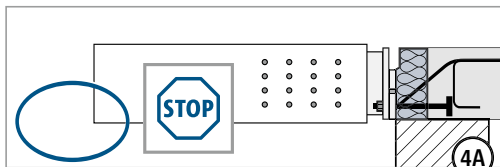
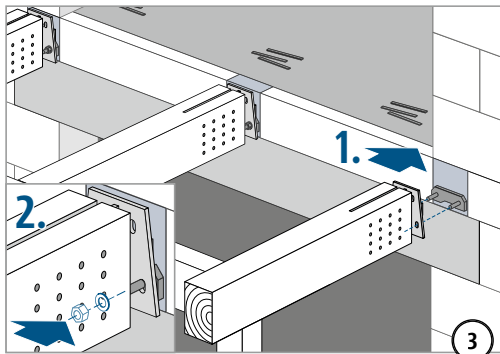
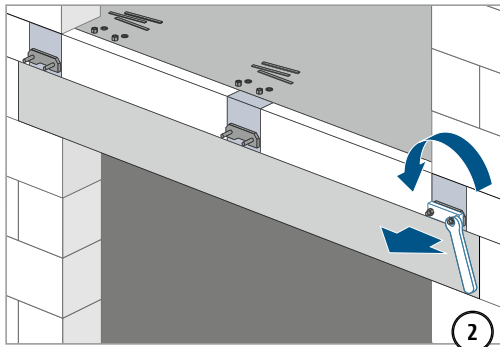
Timber – reinforced concrete

Installation instructions – supported wooden beams

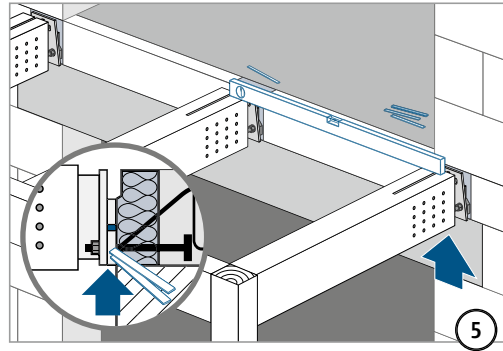
type SQ



Before loosening the nuts:
Check all screw threads for ease of
movement. If necessary, clean and
lubricate first!!



WARNING Hazard due to falling structural
components with missing support!
The balcony must always be
supported statically designed.
Remove temporary support only
after installation of final support.



type	Screw thread (compression)	Width across flats
SQ-V1	M16	24 mm

