

Schöck Isokorb® T type SK with steel sword

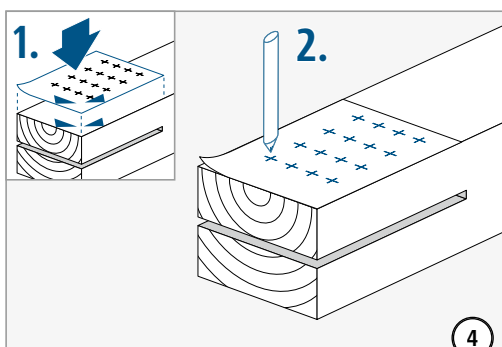
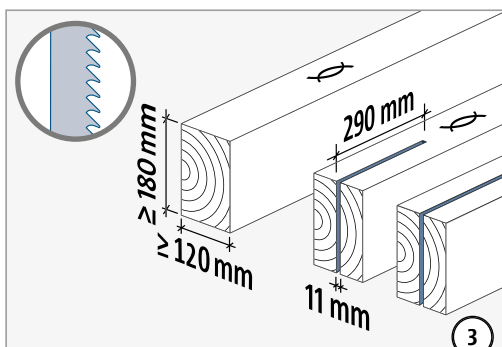
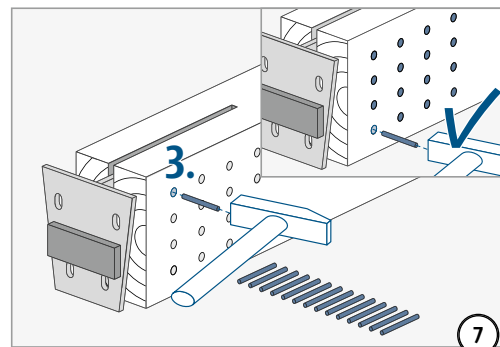
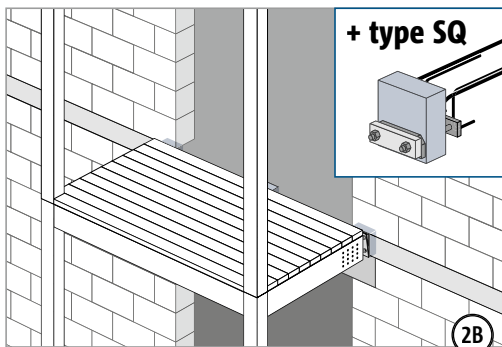
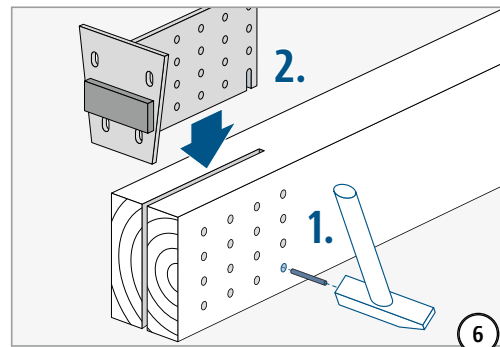
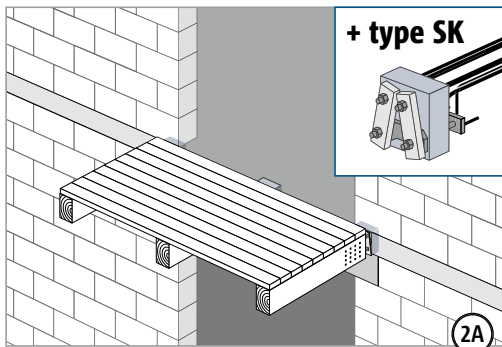
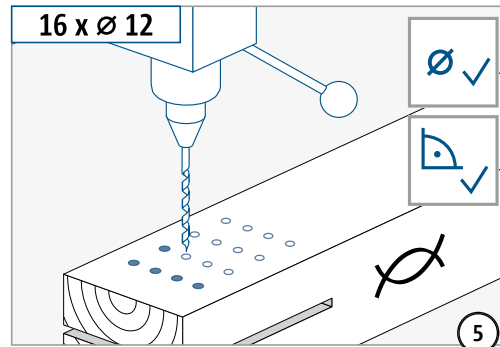
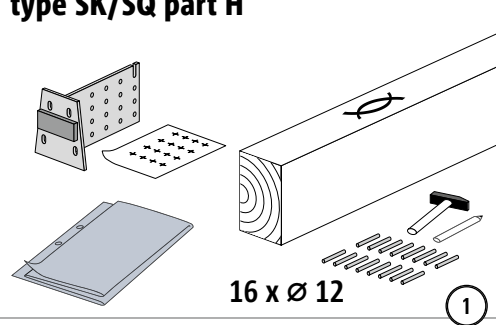


T
type SK

Timber – reinforced concrete

Installation instructions – carpentry shop

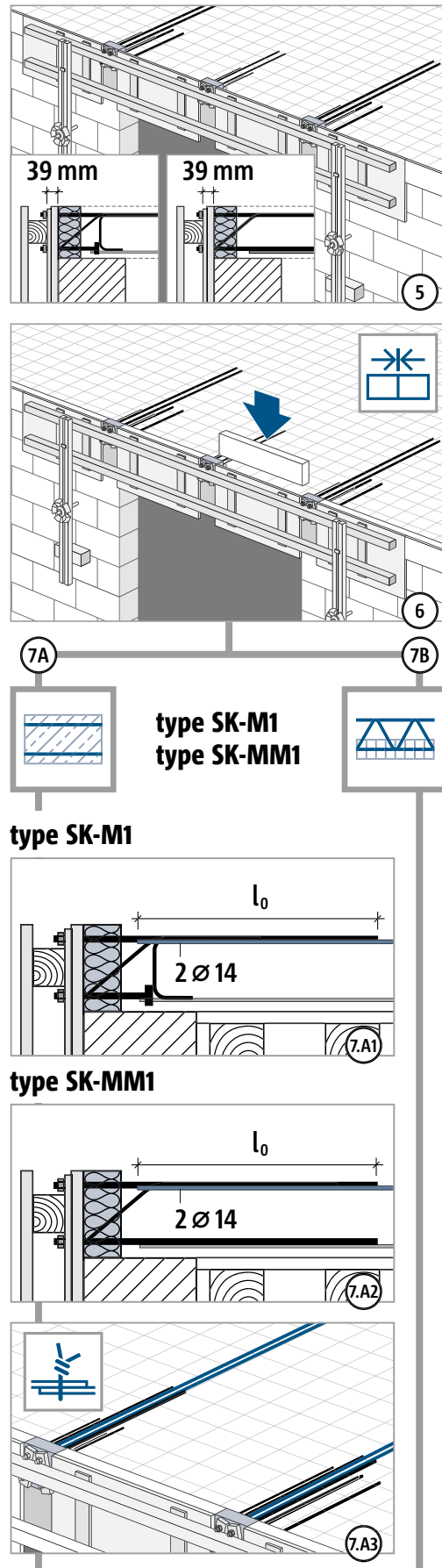
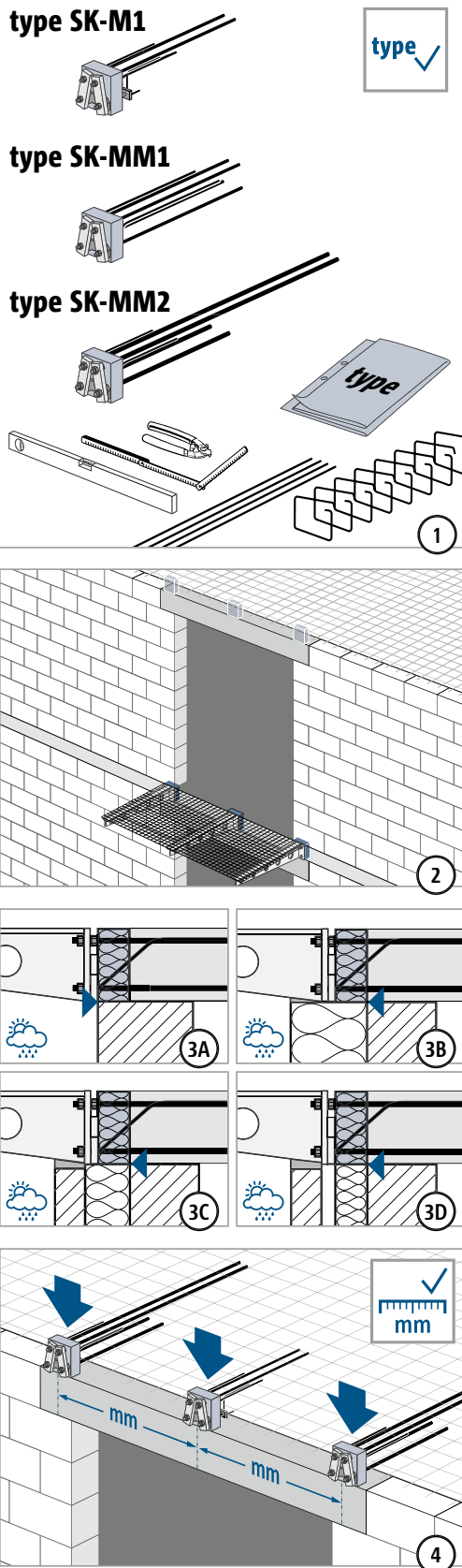
type SK/SQ part H



T
type SK

Timber – reinforced concrete

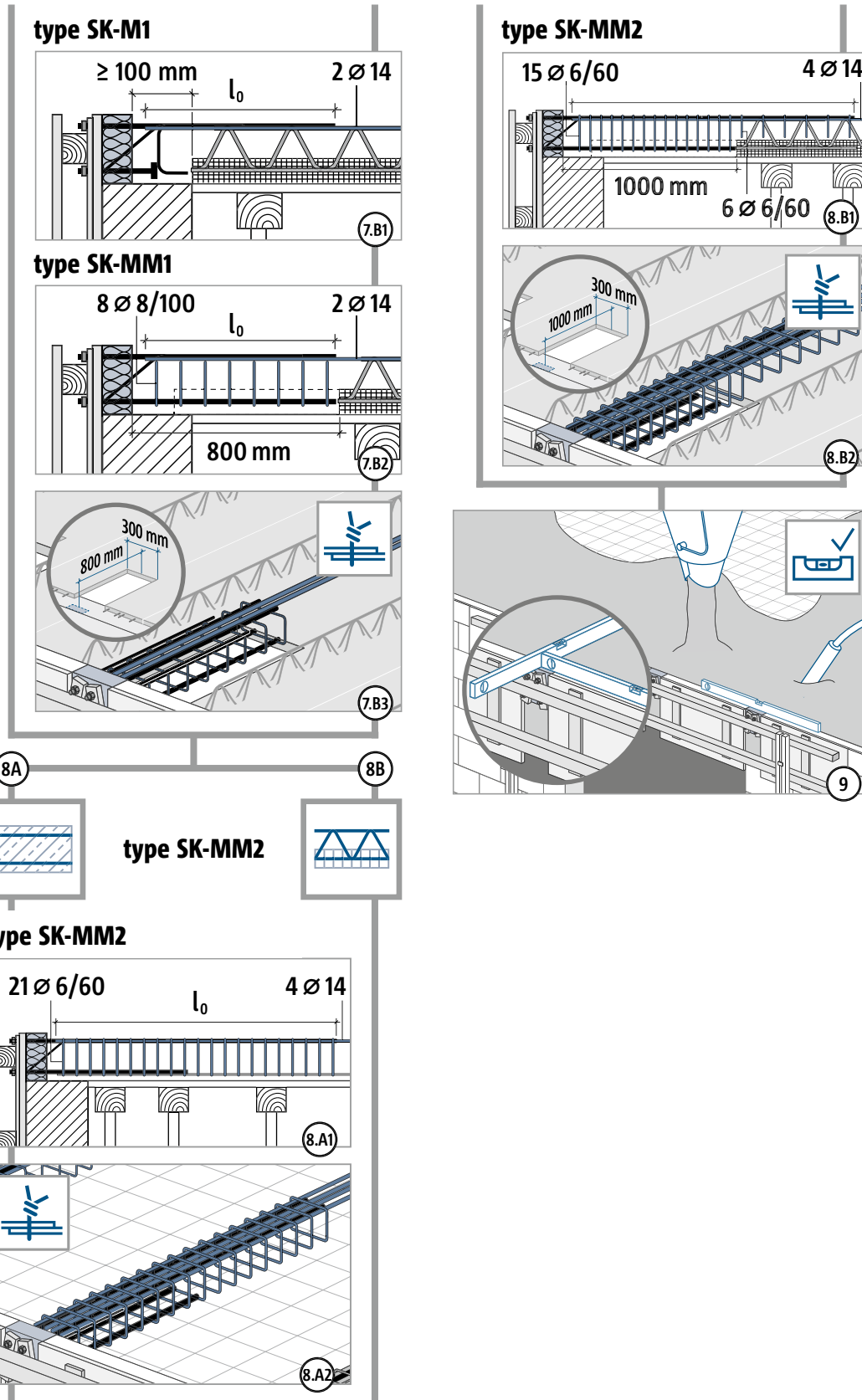
Installation instructions – concrete construction



T
type SK

Timber – reinforced concrete

Installation instructions – concrete construction

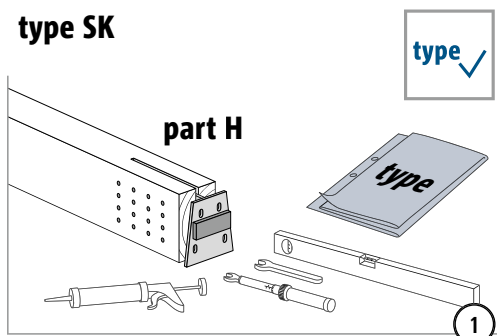


T
type SK

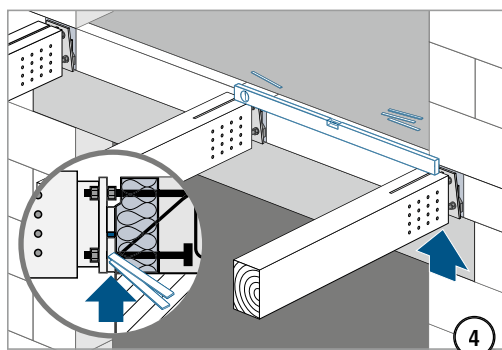
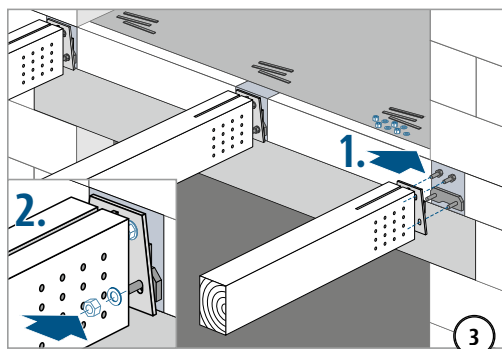
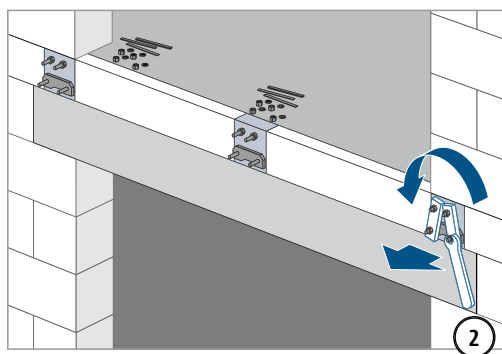
Timber – reinforced concrete

Installation instructions – cantilevered wooden beams

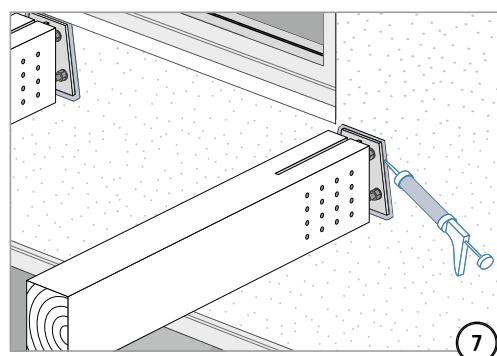
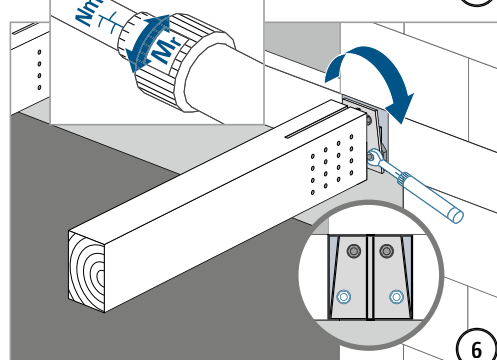
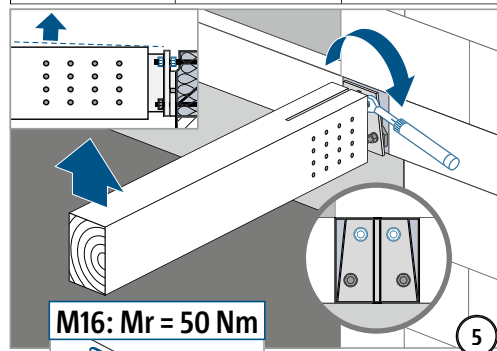
type SK



Before loosening the nuts:
Check all screw threads for ease of
movement. If necessary, clean and
lubricate first!



type	Screw thread (tension/ compression)	Width across flats
SK-M1-V1	M16	24 mm
SK-MM1-VV1	M16	24 mm



T
type SK

Timber – reinforced concrete