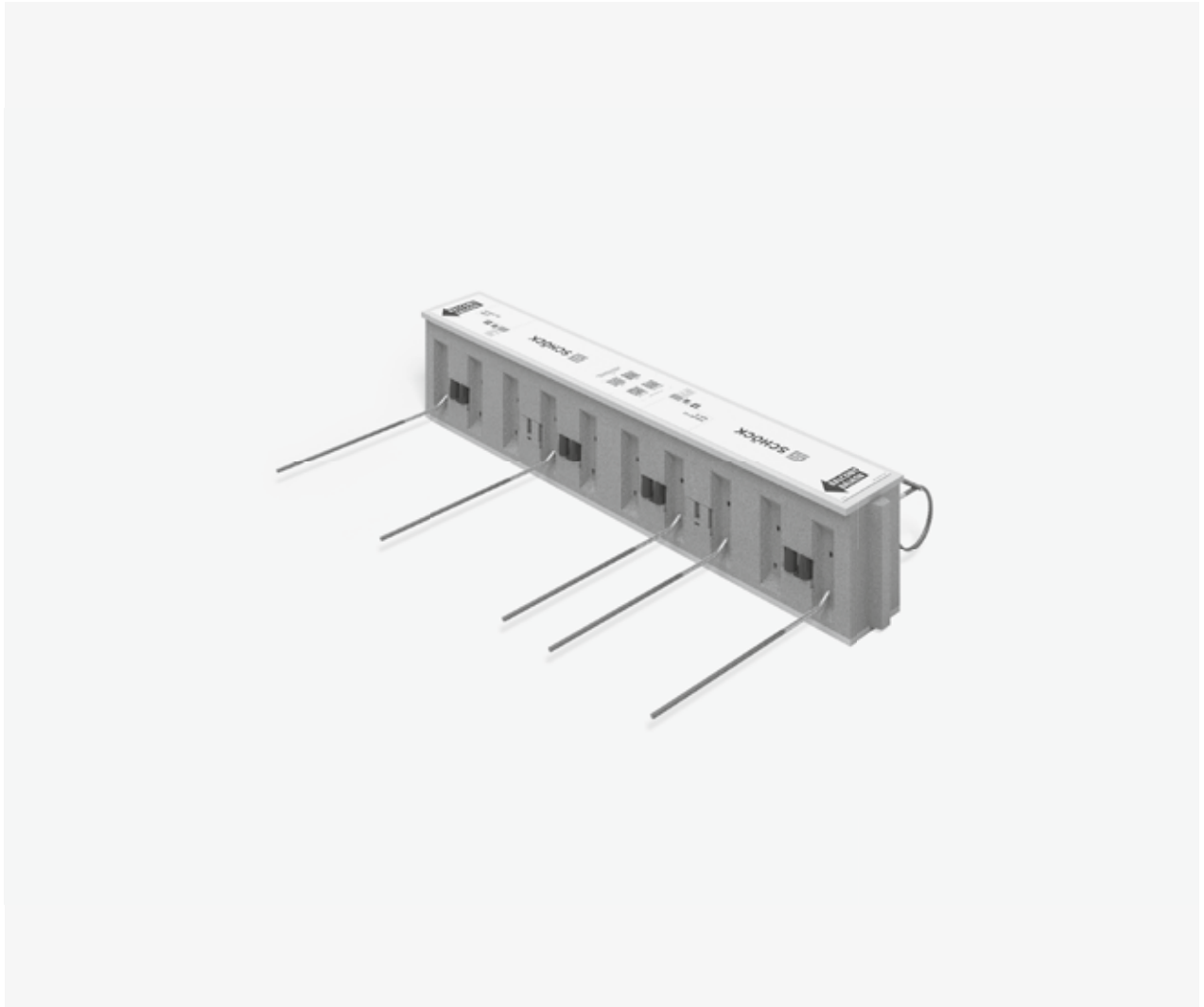


Schöck Isokorb® XT/T type Q

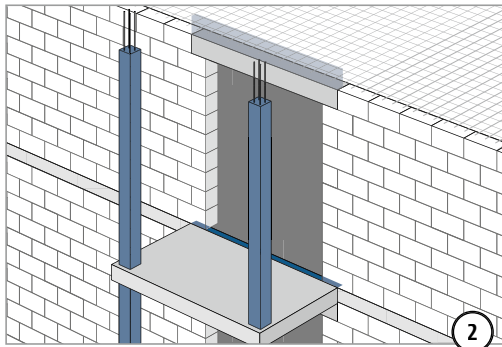
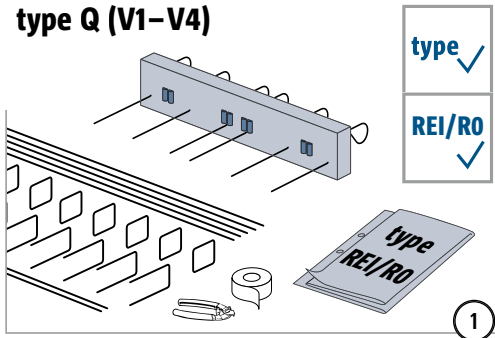


XT/T
type Q

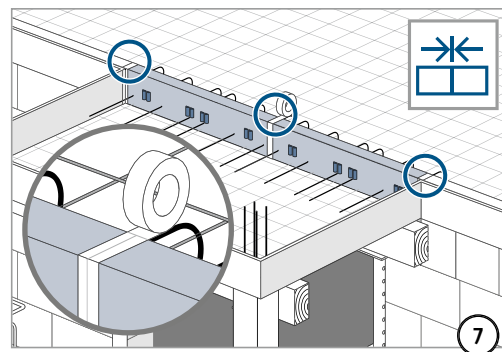
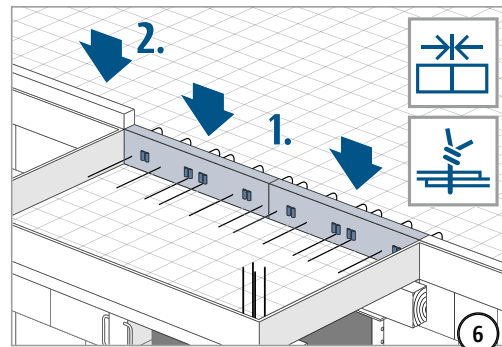
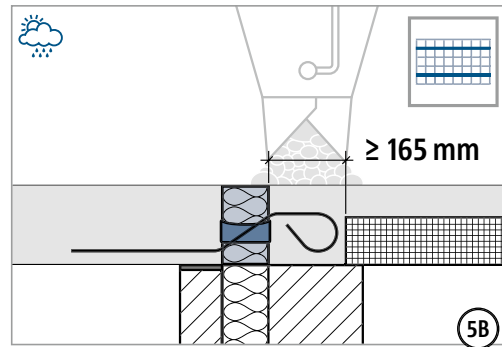
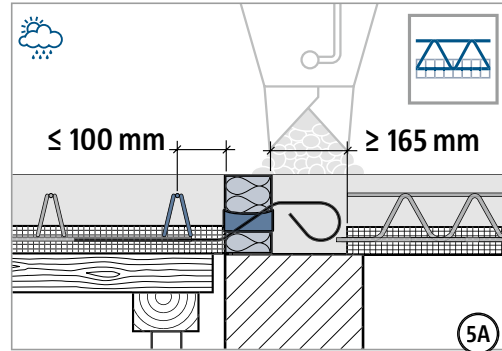
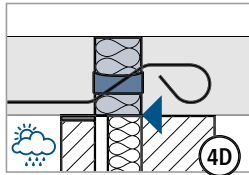
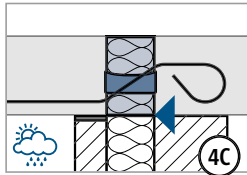
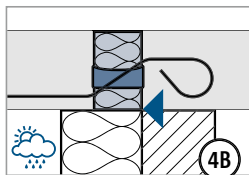
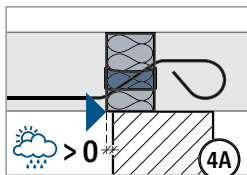
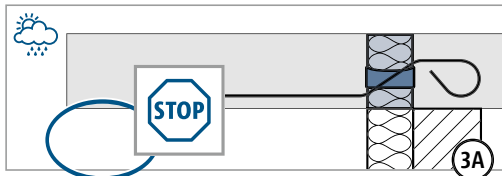
Reinforced concrete – reinforced
concrete

Installation instructions

type Q (V1-V4)



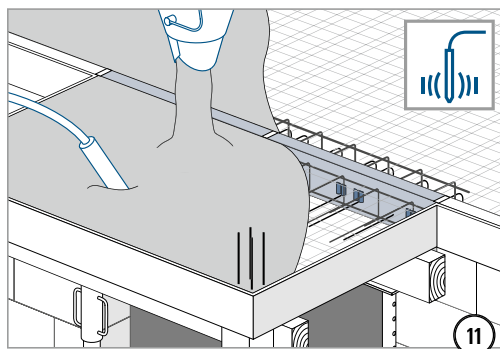
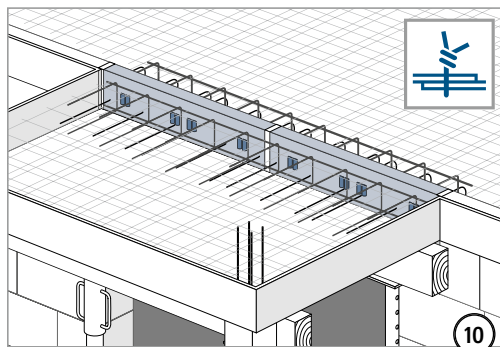
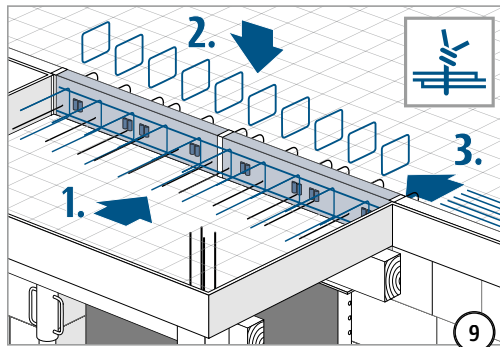
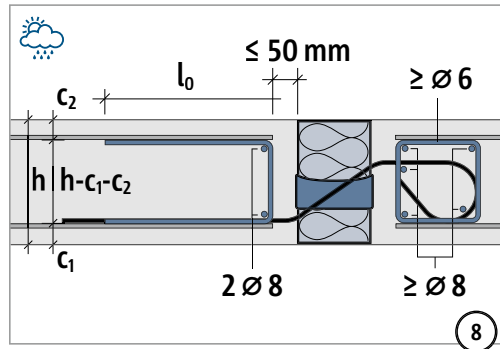
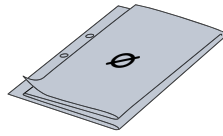
WARNING Hazard due to falling structural components with missing support! The balcony must always be supported statically designed. Remove temporary support only after installation of final support.



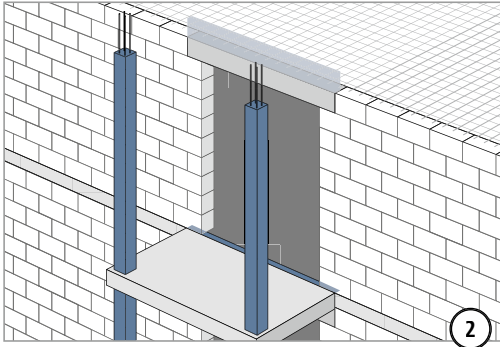
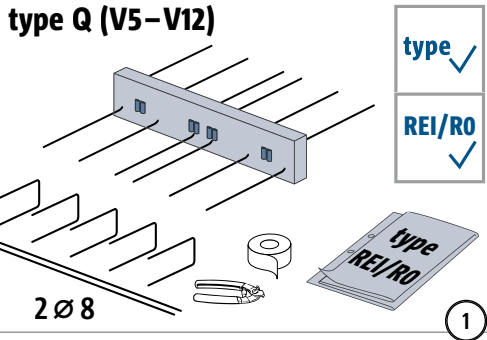
XT/T
type Q

Reinforced concrete – reinforced
concrete

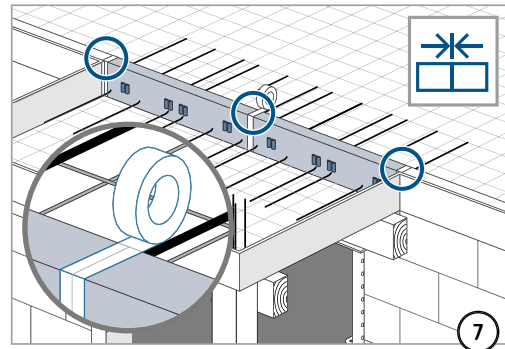
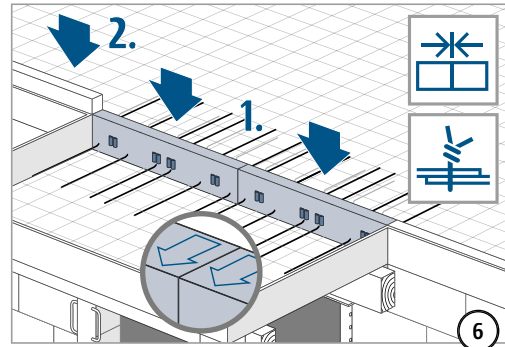
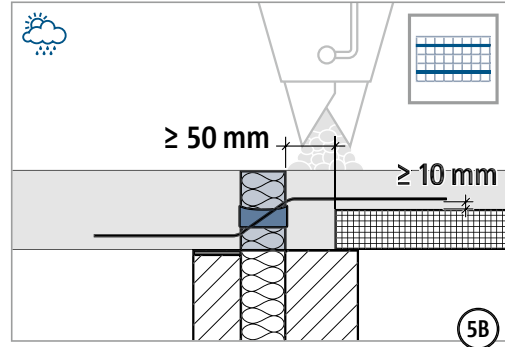
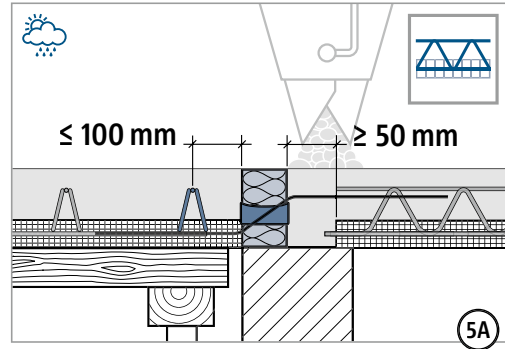
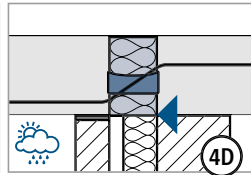
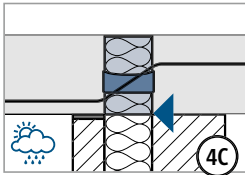
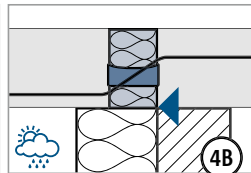
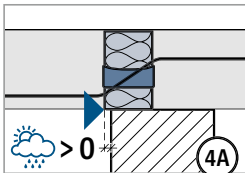
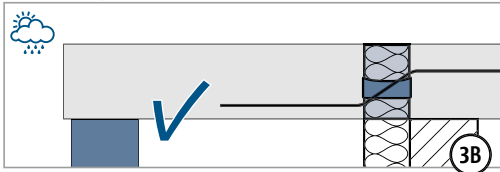
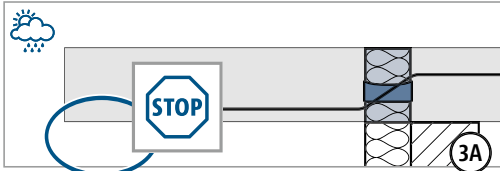
Installation instructions

XT/T
type QReinforced concrete – reinforced
concrete

Installation instructions



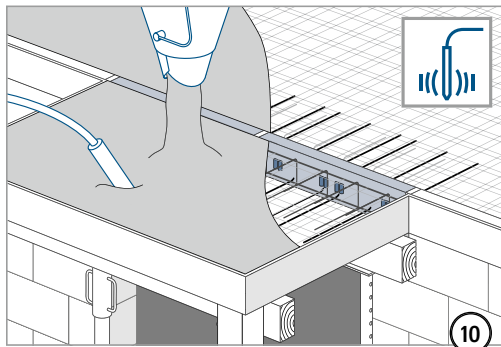
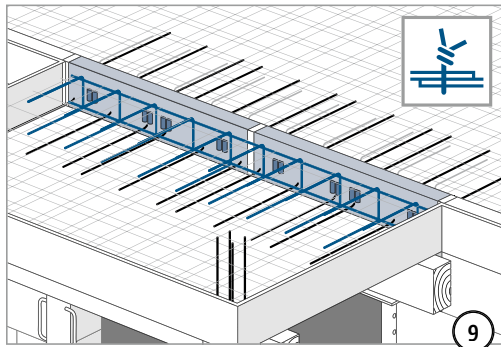
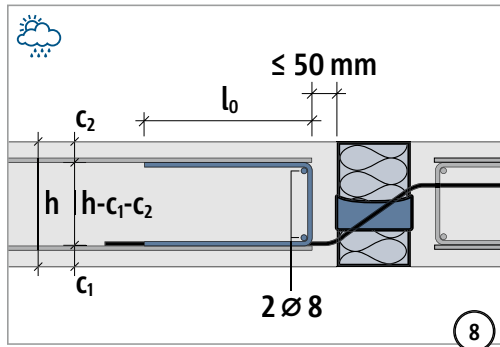
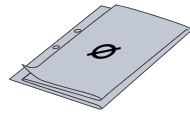
Hazard due to falling structural components with missing support!
The balcony must always be supported statically designed. Remove temporary support only after installation of final support.



XT/T
type Q

Reinforced concrete – reinforced
concrete

Installation instructions



XT/T
type Q

Reinforced concrete – reinforced
concrete