

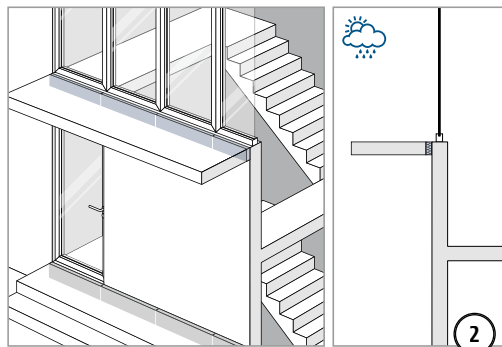
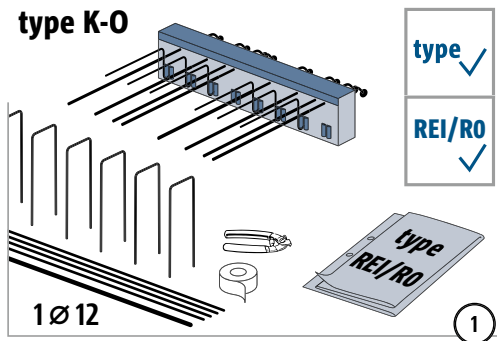
## Schöck Isokorb® XT/T type K-O



XT/T  
type K-O

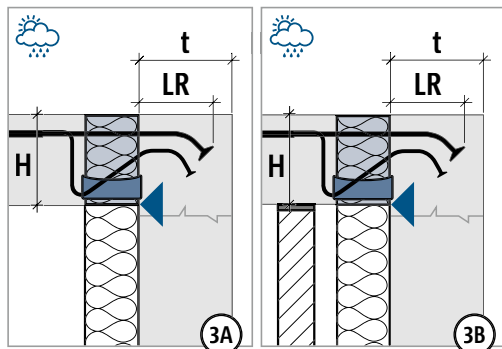
Reinforced concrete – reinforced  
concrete

## Installation instructions – balcony connected to the wall below

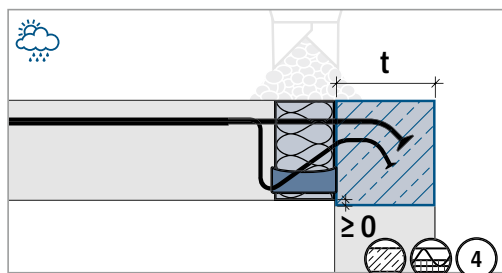


type K-O	CV35, CV30	
H	LR	t
160 – 210 mm	145 mm	≥ 175 mm
220 – 230 mm	170 mm	≥ 190 mm
240 – 250 mm	190 mm	≥ 210 mm

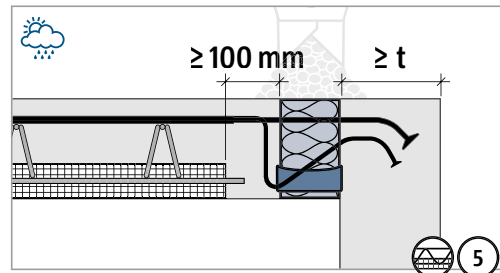
Note minimum wall thickness t.



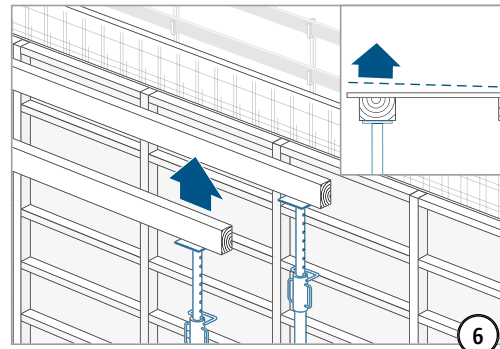
Place inner edge Isokorb® directly at outer edge of wall.



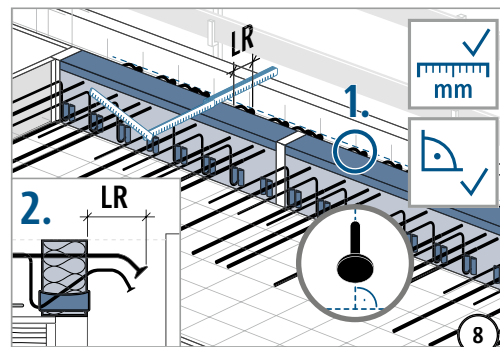
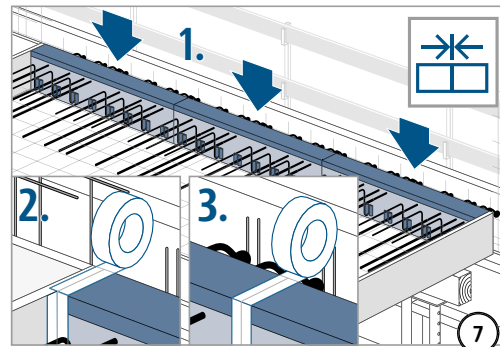
No working joint in the marked area, neither horizontal nor vertical. Concrete marked area in one pour!



Without fail fill compression joint with in-situ concrete! Joint width ≥ 100 mm. Wall thickness ≥ t.

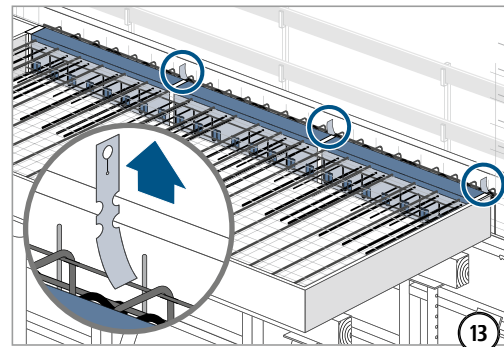
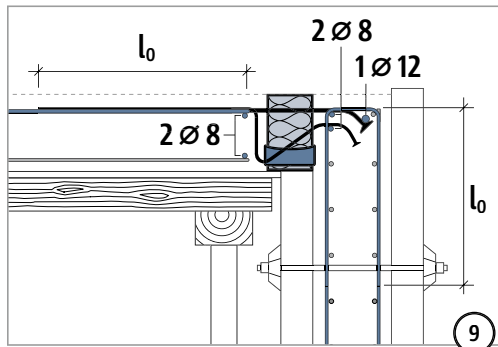


Step formwork in accordance with work plan.

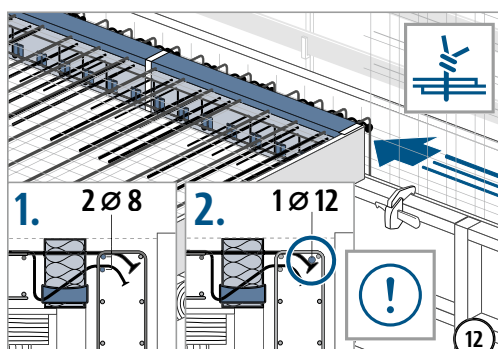
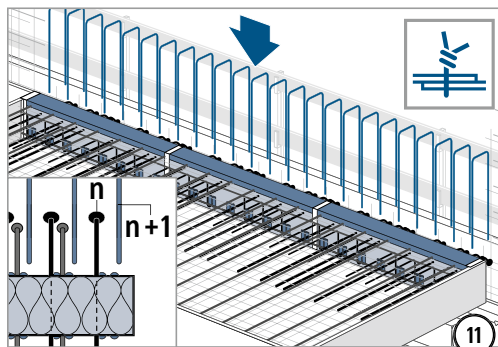
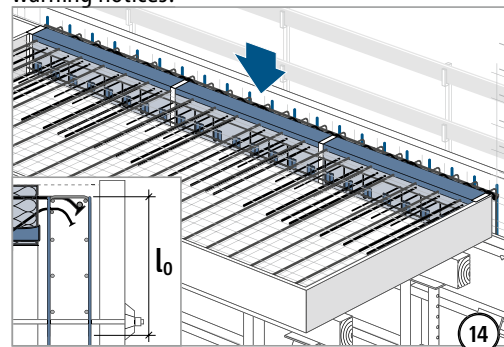
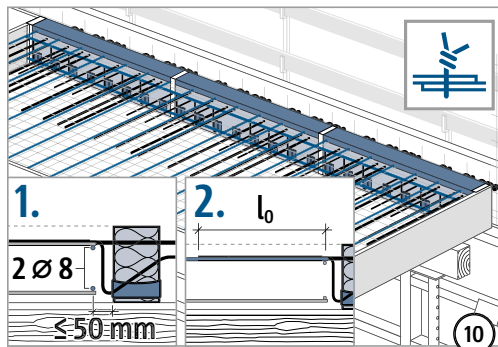


1. Adjust plane of curvature of the tension bars precisely perpendicular so that all anchor plates lie within their low point!
2. Check bond LR in accordance with type label!

## Installation instructions – balcony connected to the wall below



Before casting concrete remove all red warning notices!

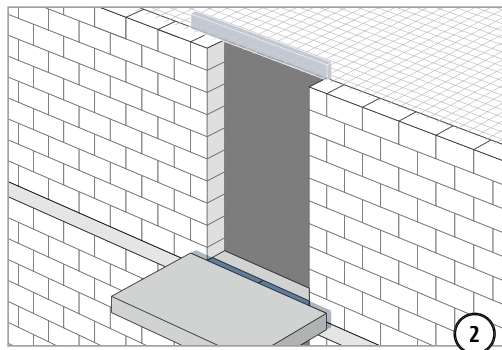
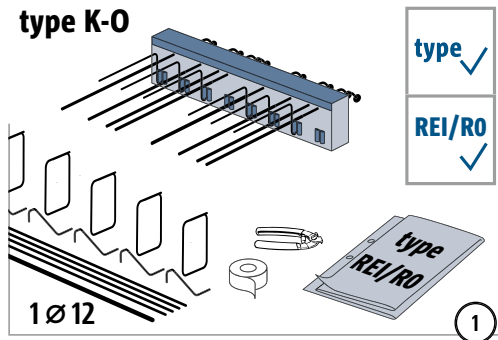


Tie supplementary bars with  $\varnothing \geq 8$  mm at crossing points. Tie supplementary bar with  $\varnothing \geq 12$  mm directly to tension bar using anchor head!

XT/T  
type K-O

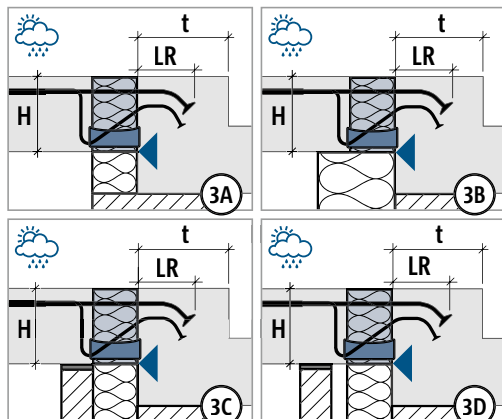
Reinforced concrete – reinforced  
concrete

## Installation instructions – balcony with height offset upwards

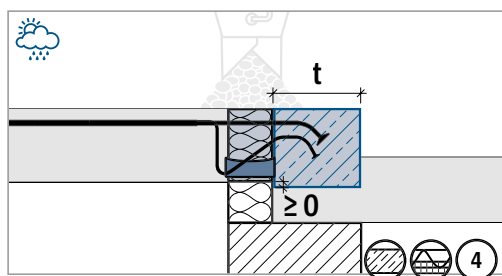


type K-O	CV35, CV30	
H	LR	t
160 – 210 mm	145 mm	≥ 175 mm
220 – 230 mm	170 mm	≥ 190 mm
240 – 250 mm	190 mm	≥ 210 mm

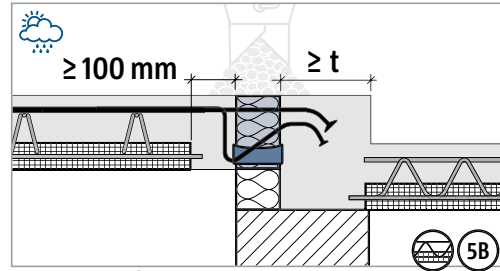
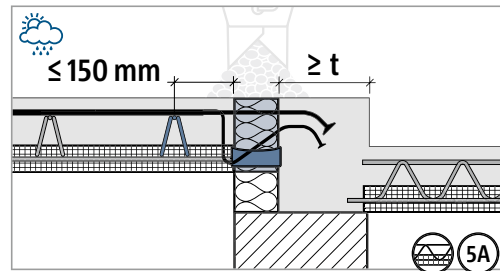
Note minimum wall thickness t.



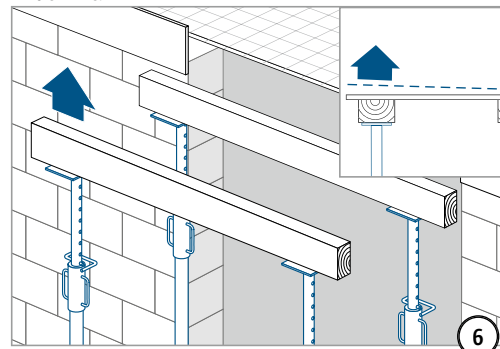
Place Isokorb® inner edge directly at outer edge of the coating.



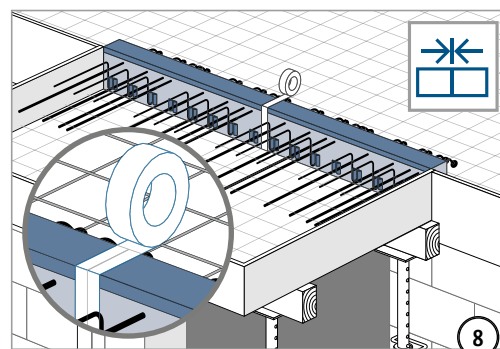
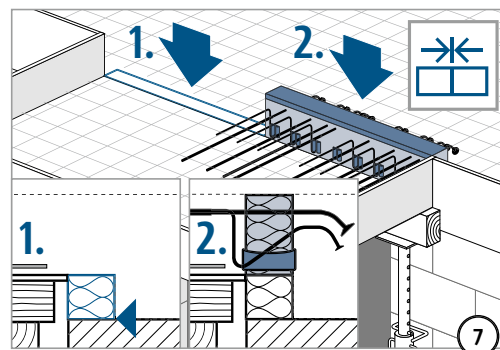
No working joint in the marked area, neither horizontal nor vertical. Concrete marked area in one pour!



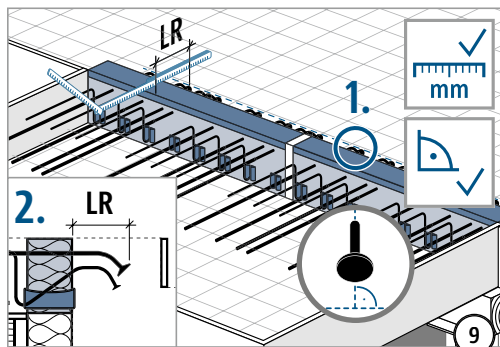
Without fail fill compression joint with in-situ concrete! Joint width ≥ 100 mm. Upstand beam width ≥ t.



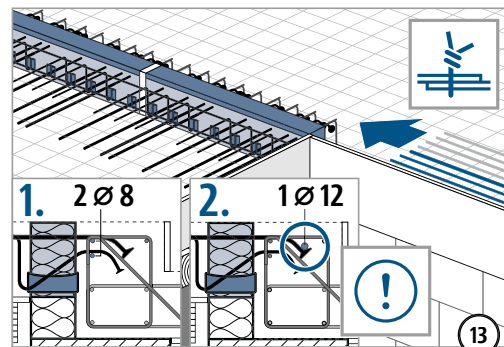
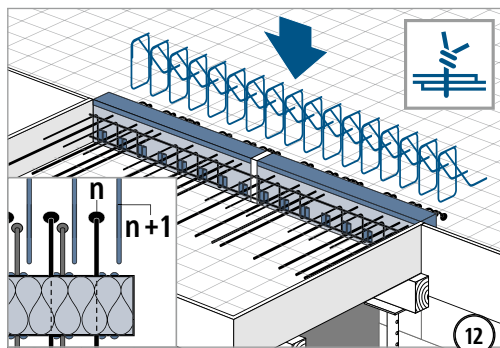
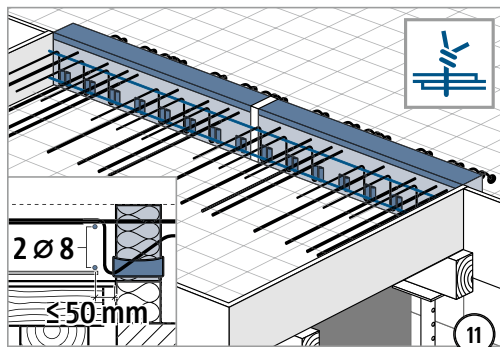
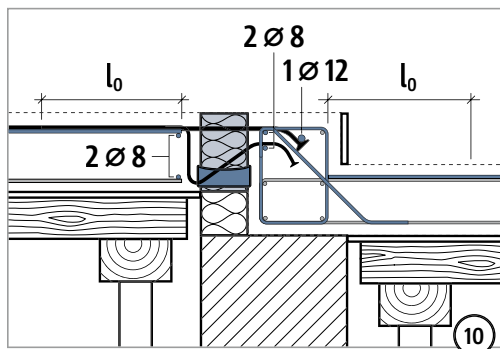
Step formwork in accordance with work plan.



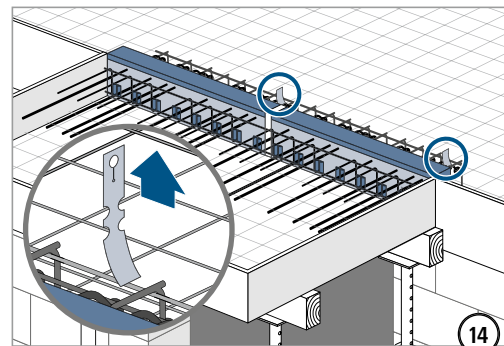
## Installation instructions – balcony with height offset upwards



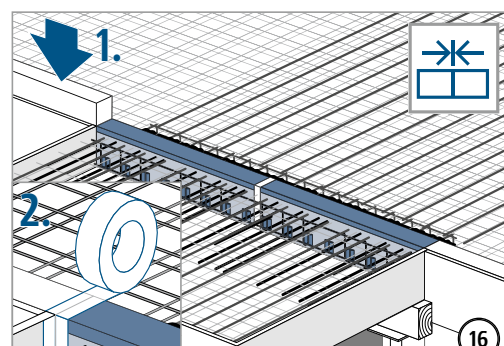
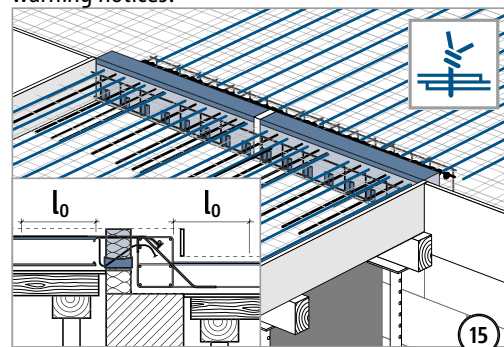
1. Adjust plane of curvature of the tension bars precisely perpendicular so that all anchor plates lie within their low point!
2. Check bond LR in accordance with type label!



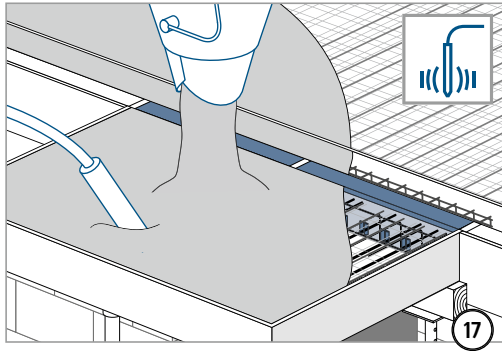
- Tie supplementary bars with  $\varnothing \geq 8$  mm at crossing points. Tie supplementary bar with  $\varnothing \geq 12$  mm directly to tension bar using anchor head!



Before casting concrete remove all red warning notices!



## Installation instructions – balcony with height offset upwards



XT/T  
type K-O

Reinforced concrete – reinforced  
concrete