

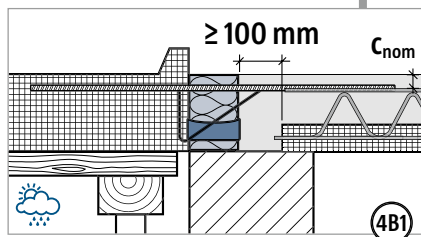
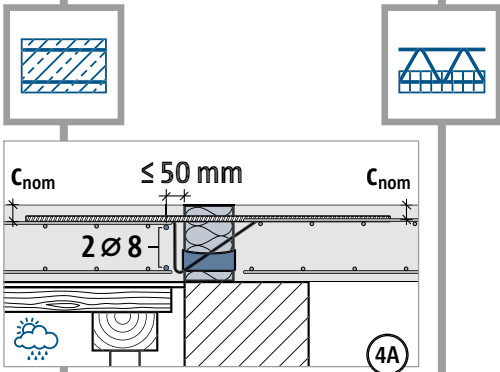
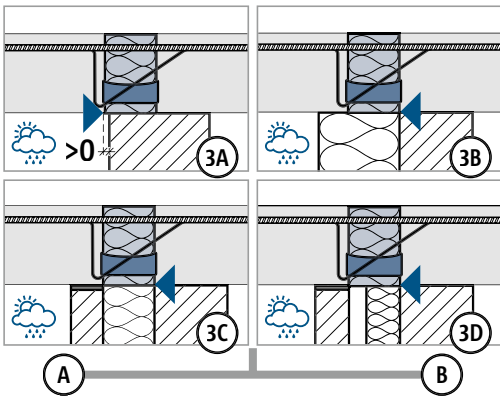
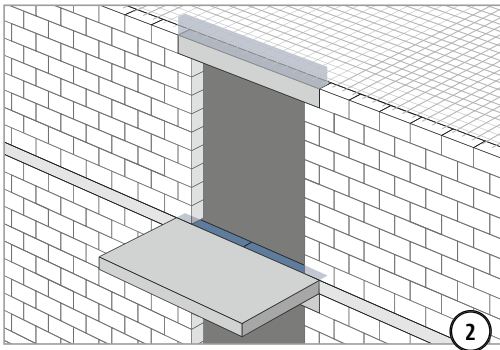
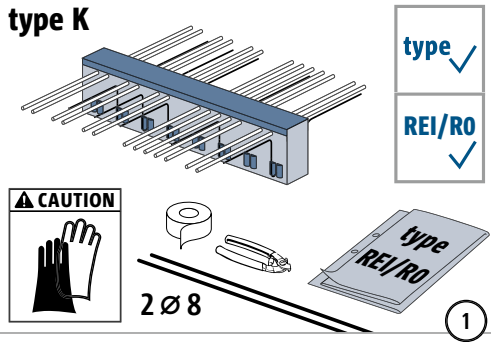
Schöck Isokorb® CXT type K



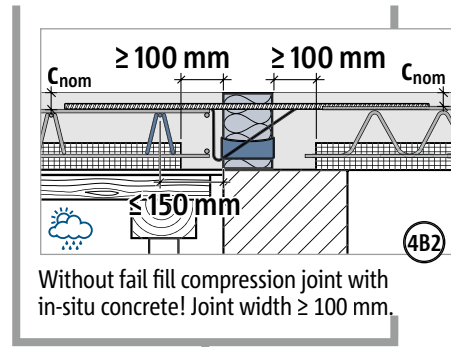
CXT
type K

Reinforced concrete – reinforced
concrete

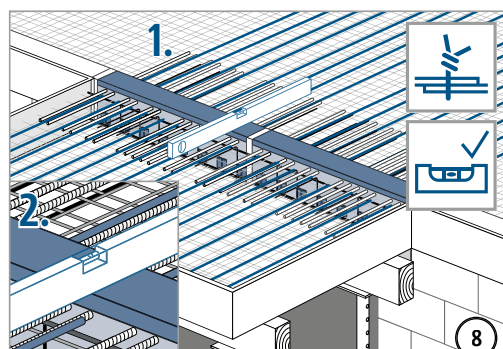
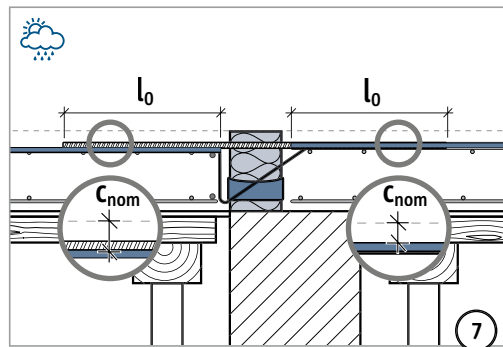
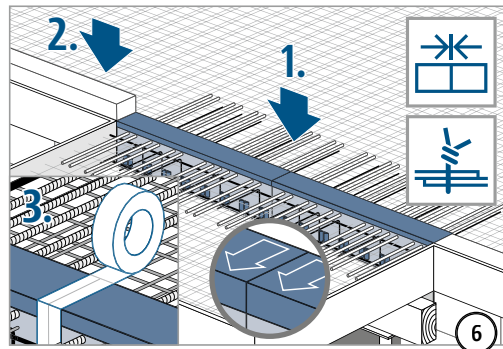
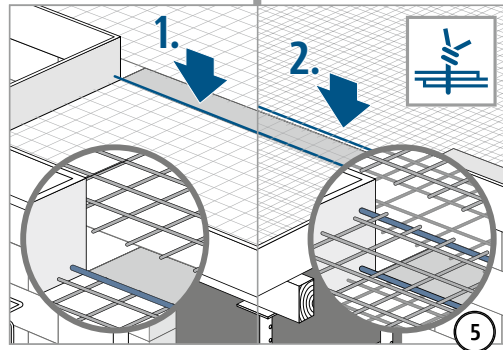
Installation instructions



Without fail fill compression joint with in-situ concrete! Joint width ≥ 100 mm.



Without fail fill compression joint with in-situ concrete! Joint width ≥ 100 mm.



CXT
type K

Reinforced concrete – reinforced
concrete