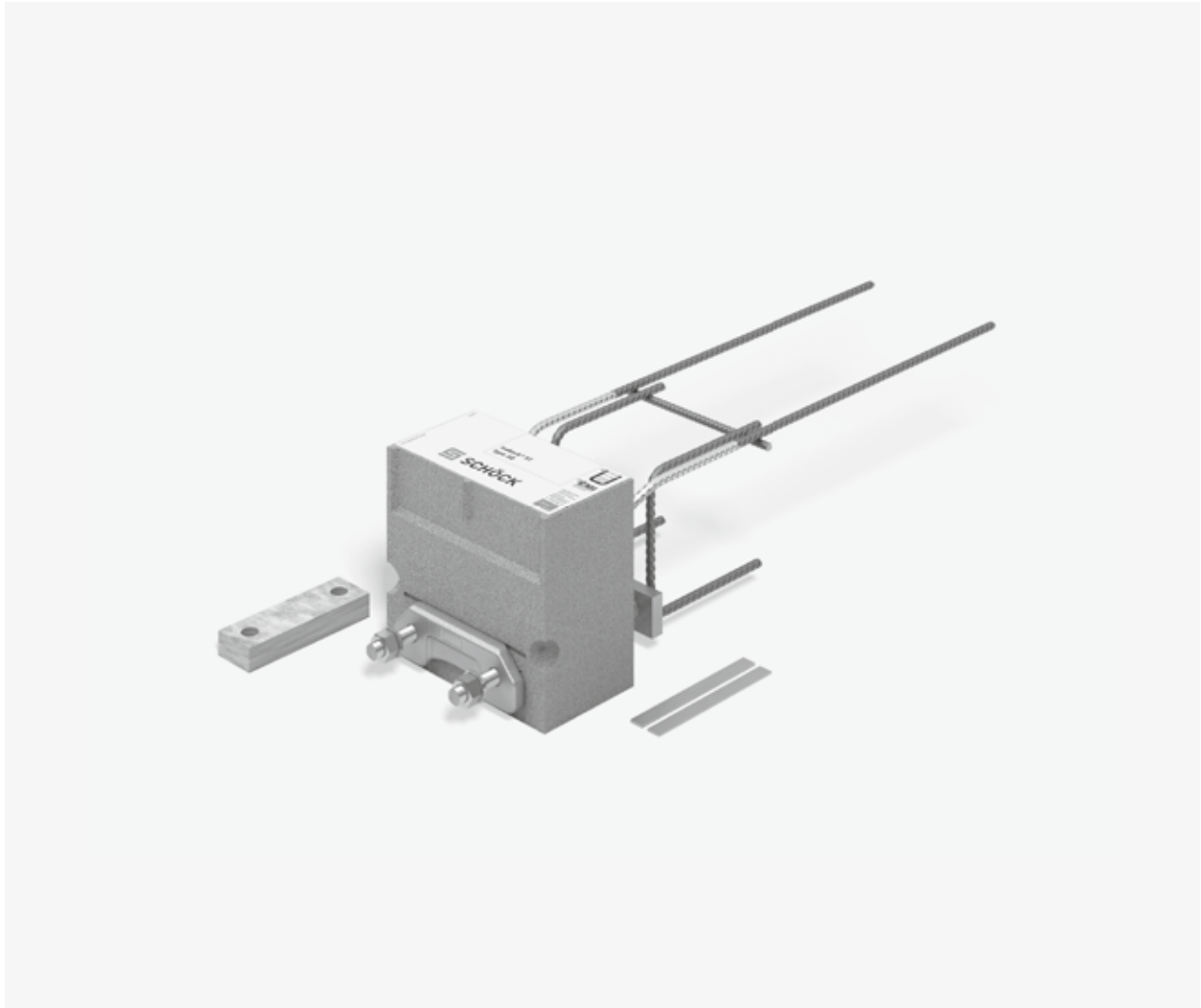


Schöck Isokorb® XT/T type SQ

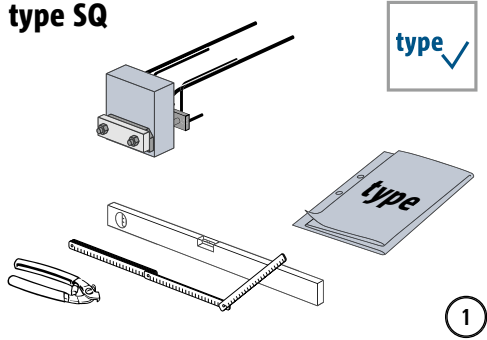


XT/T
type SQ

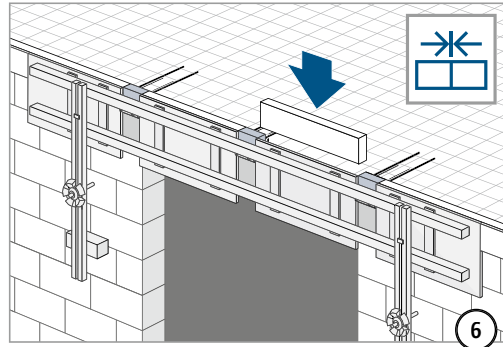
Steel – reinforced concrete

Installation instructions – concrete construction

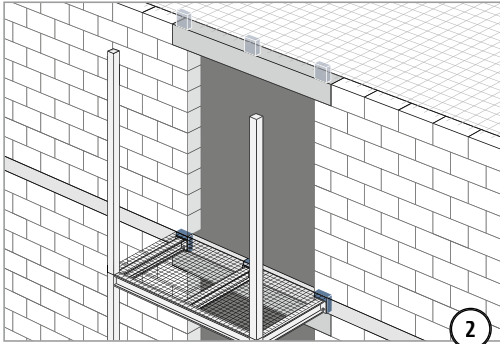
type SQ



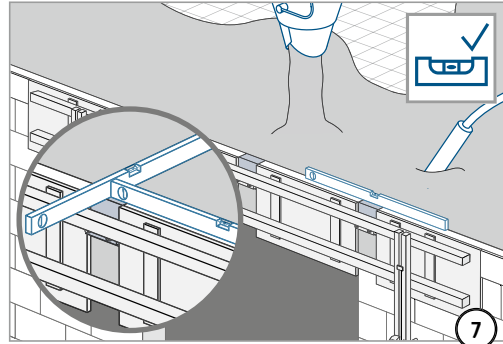
1



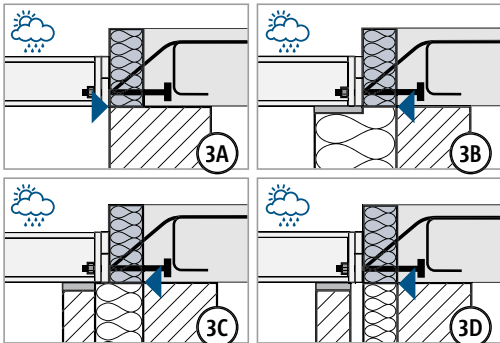
6



2



7

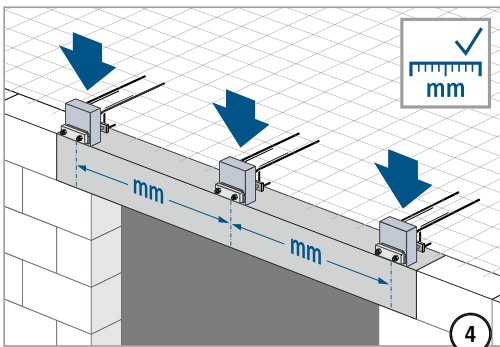


3A

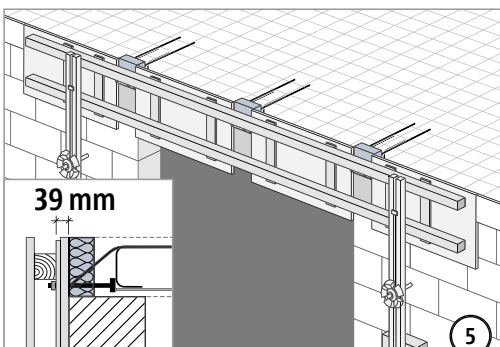
3B

3C

3D



4



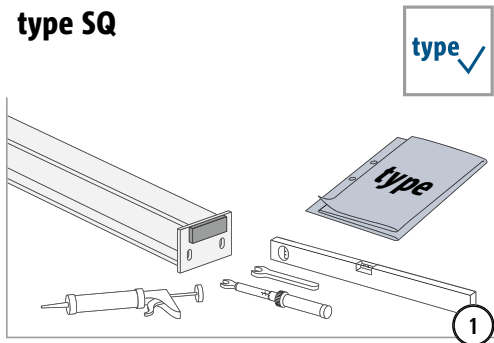
5

XT/T
type SQ

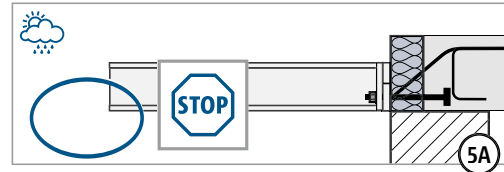
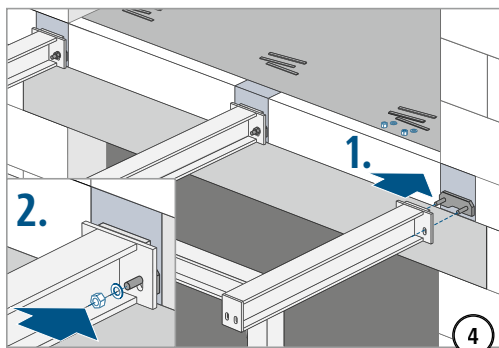
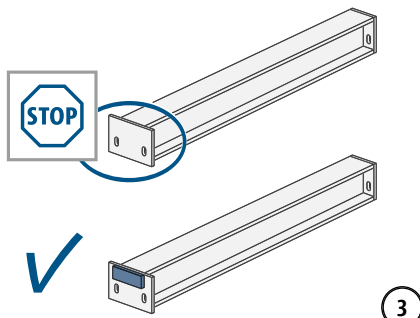
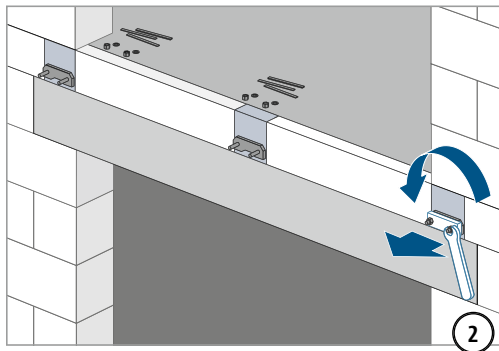
Steel – reinforced concrete

Installation instructions – supported steel beams

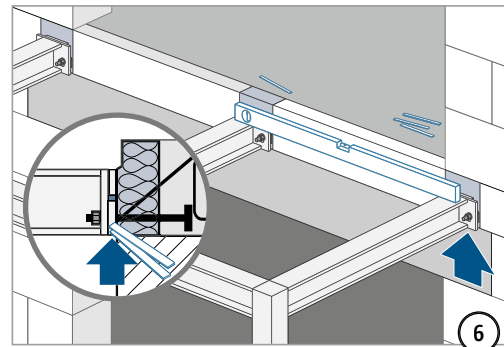
type SQ



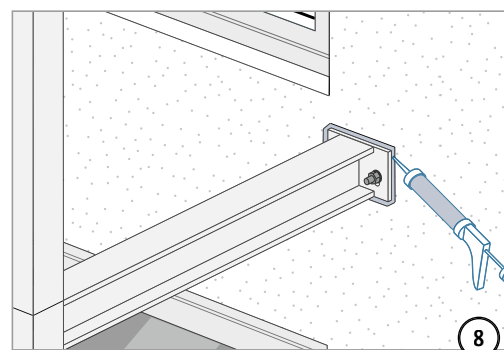
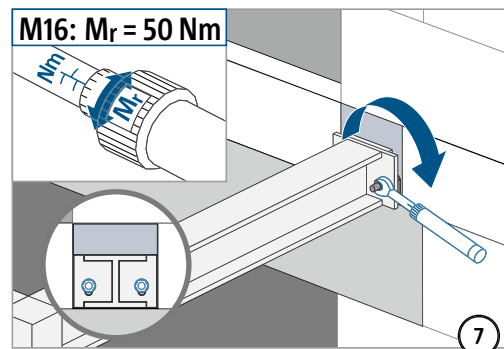
! Before loosening the nuts: Check all screw threads for ease of movement. If necessary, clean and lubricate first!



⚠ WARNING Hazard due to falling structural components with missing support! The balcony must always be supported statically designed. Remove temporary support only after installation of final support.



type	Screw thread (compression)	Width across flats
SQ-V1	M16	24 mm
SQ-V2	M16	24 mm
SQ-V3	M16	24 mm



XT/T
type SQ

Steel – reinforced concrete