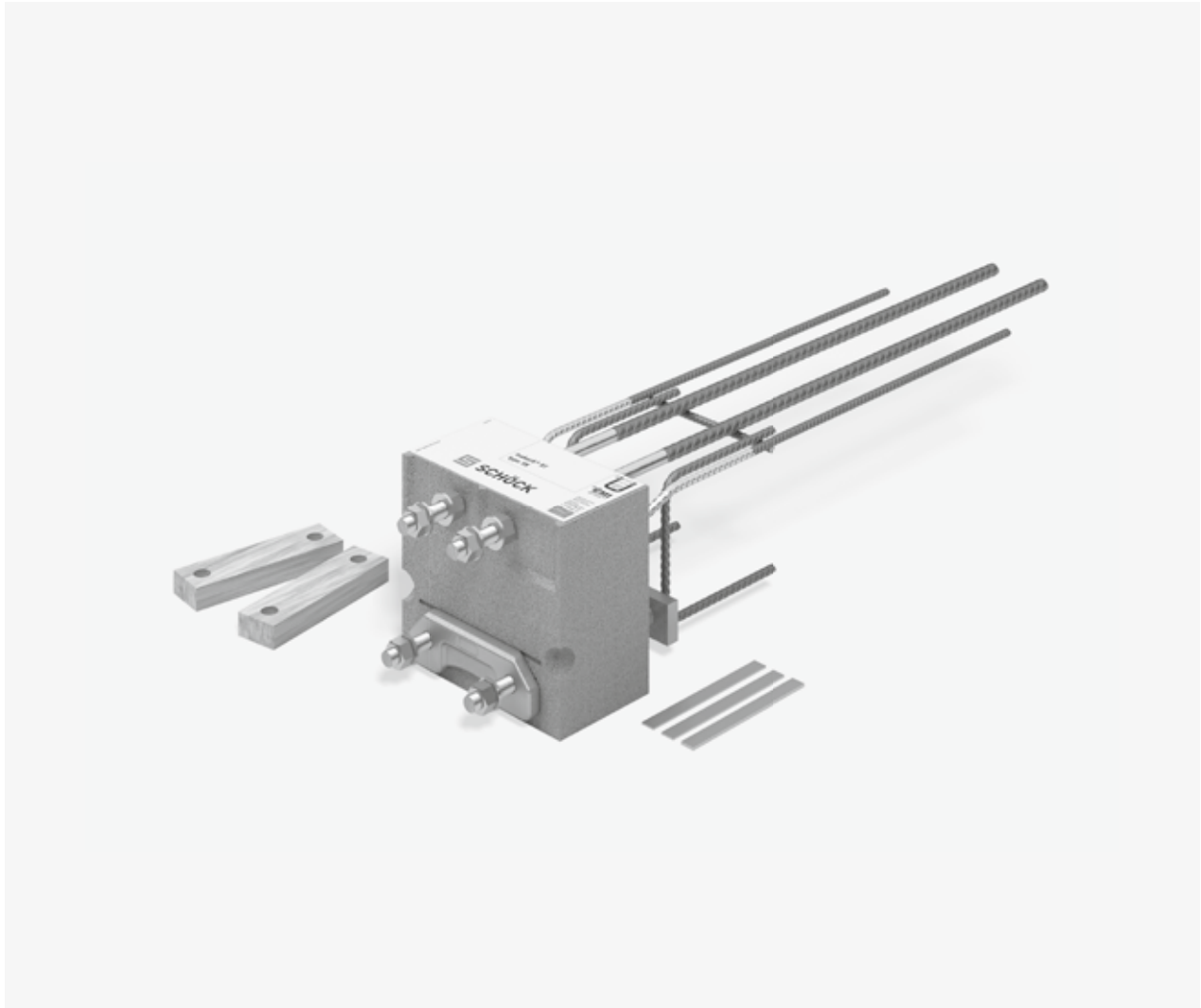


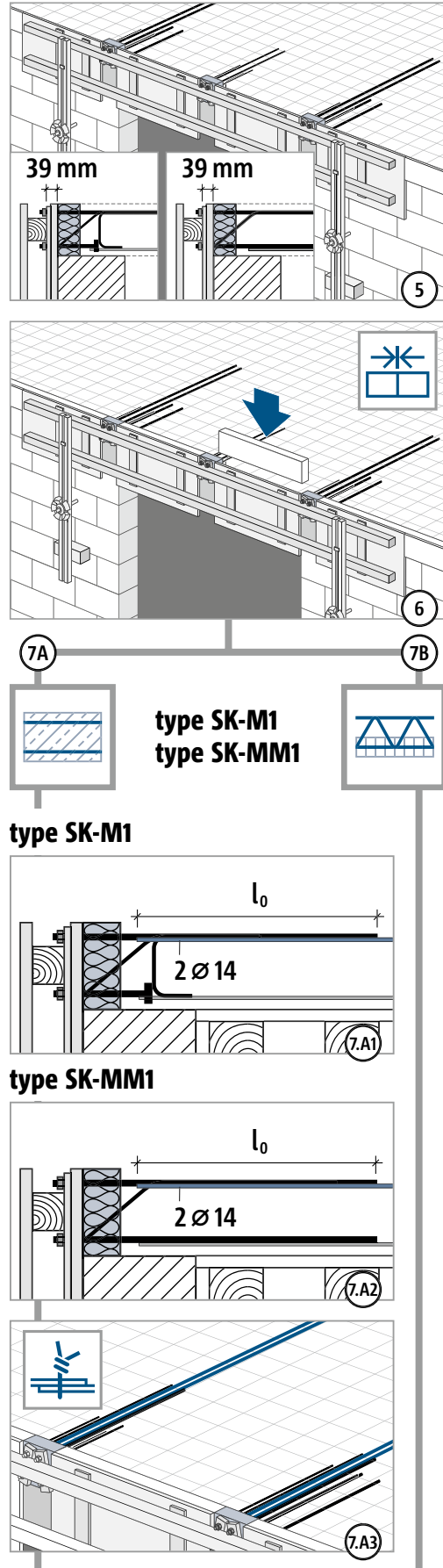
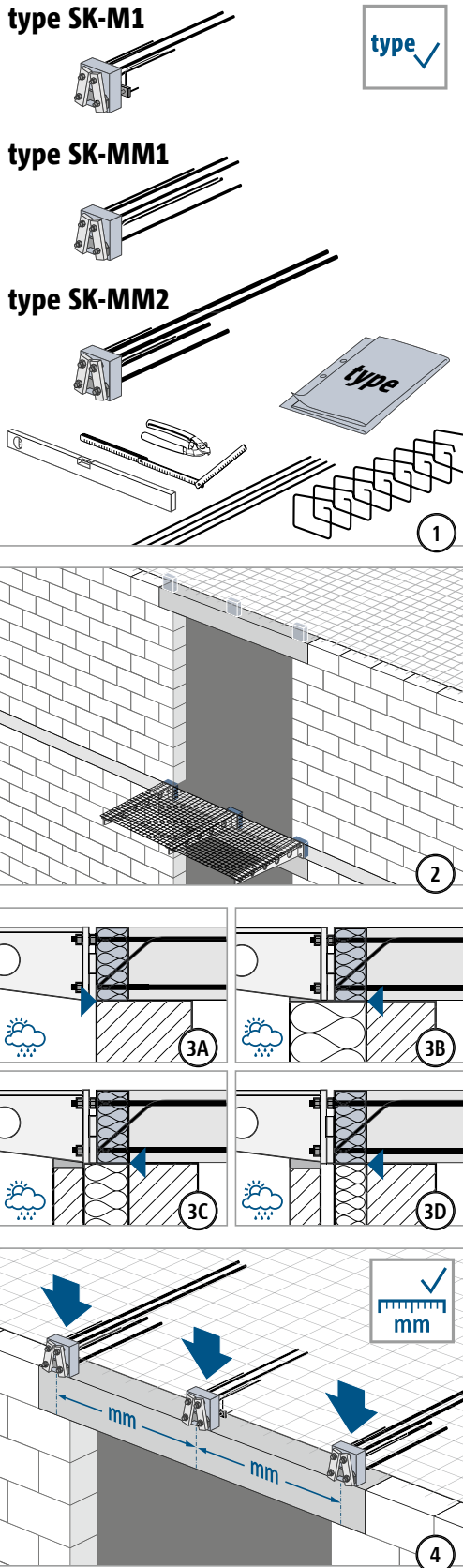
## Schöck Isokorb® XT/T type SK



XT/T  
type SK

Steel – reinforced concrete

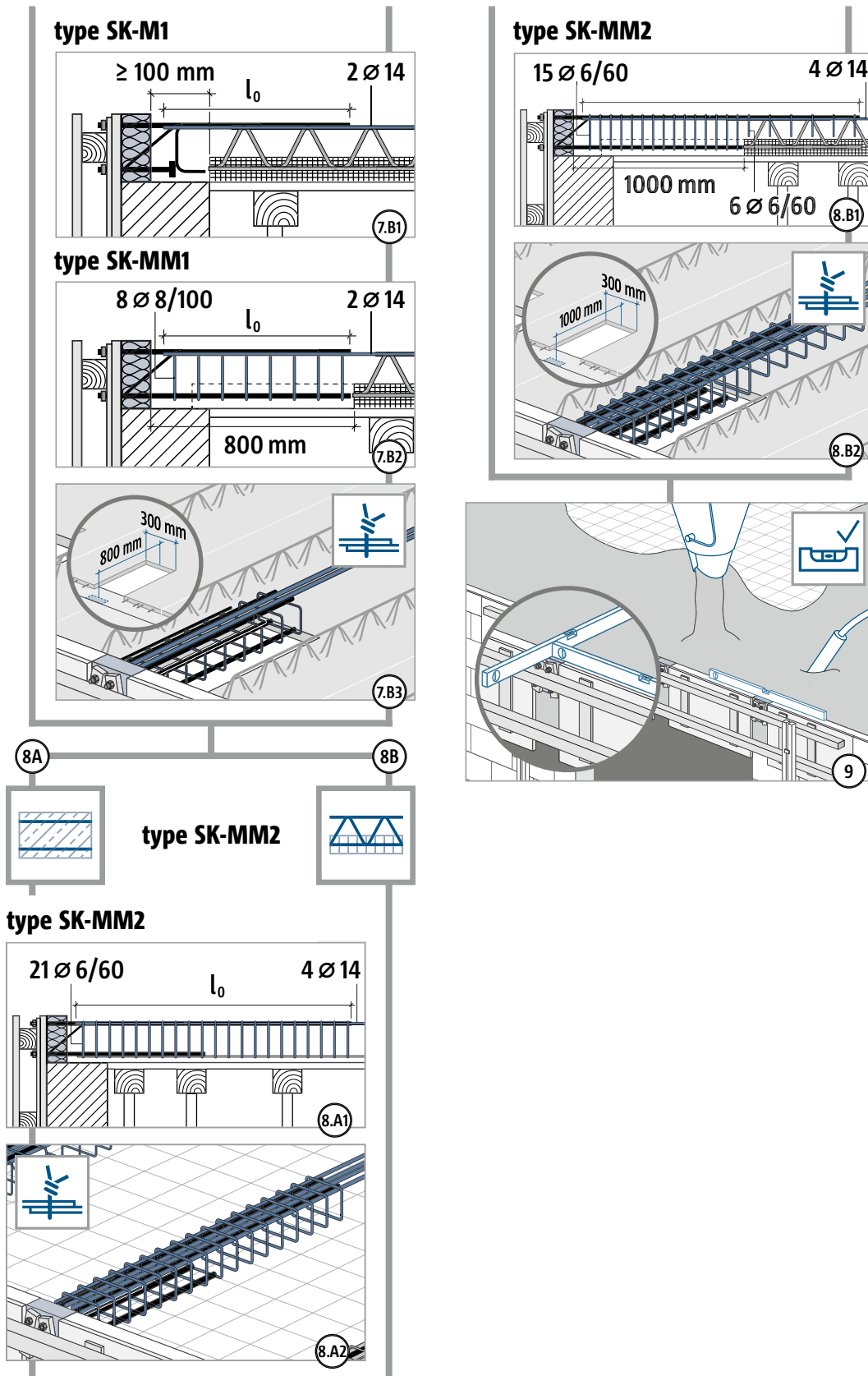
## Installation instructions – concrete construction



XT/T  
type SK

Steel – reinforced concrete

## Installation instructions – concrete construction

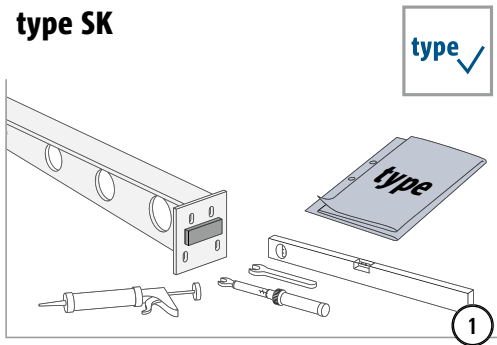


XT/T  
type SK

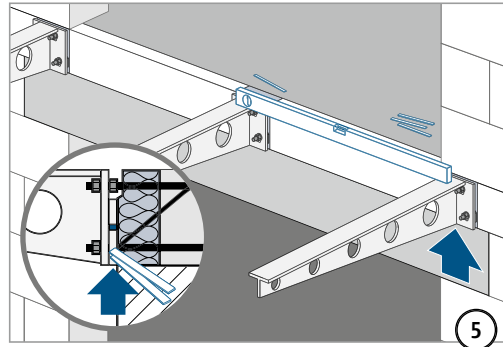
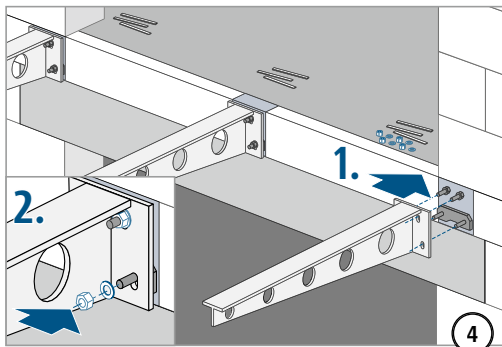
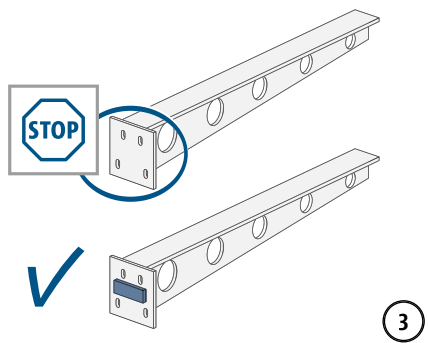
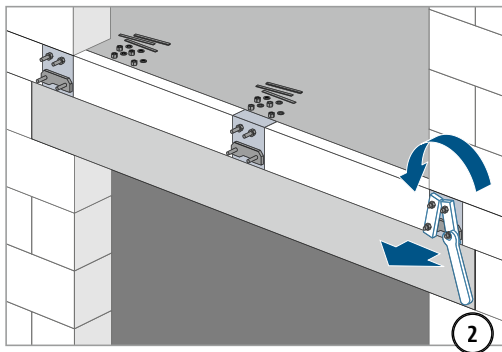
Steel – reinforced concrete

## Installation instructions – cantilevered steel beams

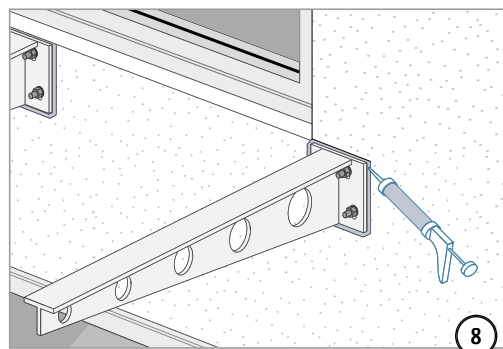
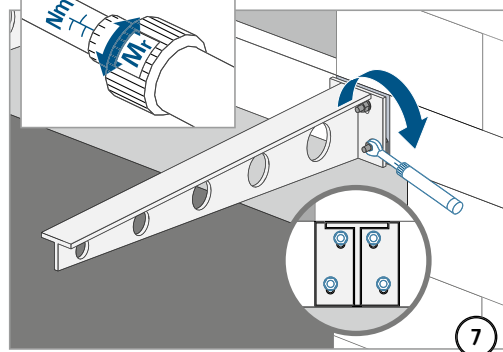
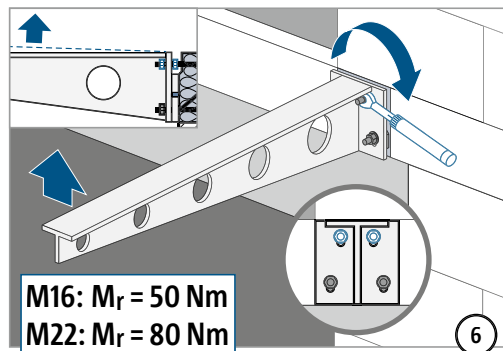
type SK



Before loosening the nuts:  
Check all screw threads for ease of movement. If necessary, clean and lubricate first!



type	Screw thread (tension/compression)	Width across flats
SK-M1-V1	M16	24 mm
SK-M1-V2	M16	24 mm
SK-MM1-VV1	M16	24 mm
SK-MM2-VV1	M22	32 mm
SK-MM2-VV2	M22	32 mm



XT/T  
type SK

Steel – reinforced concrete