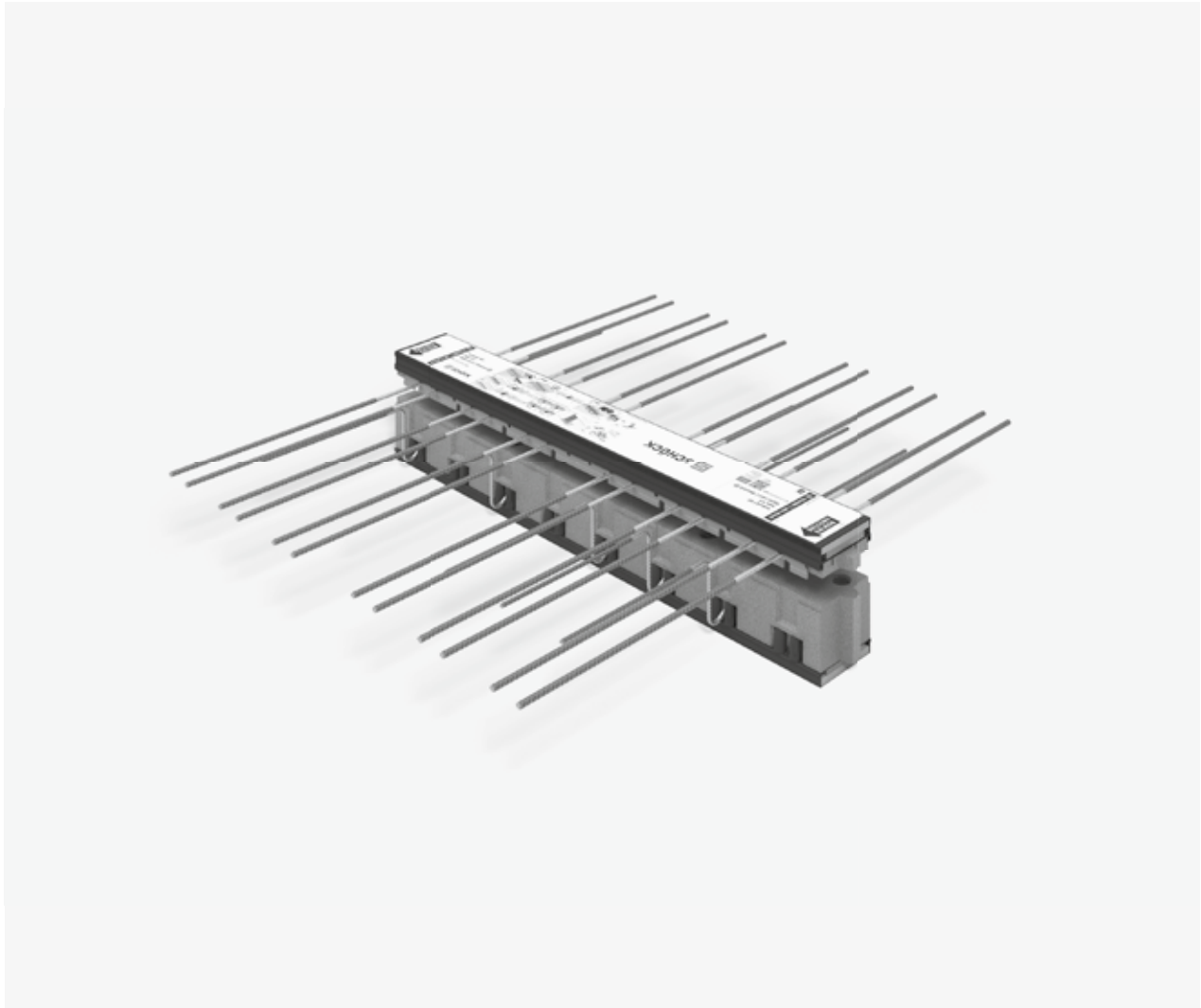


Schöck Isokorb® XT/T type K-F

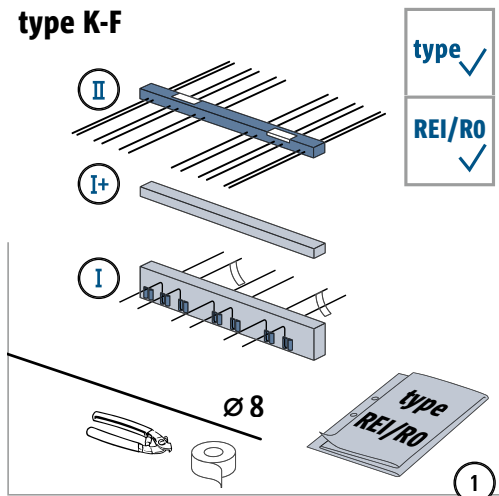


XT/T
type K-F

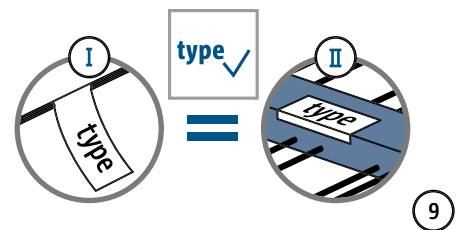
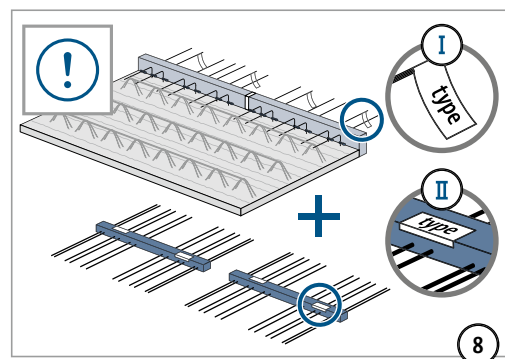
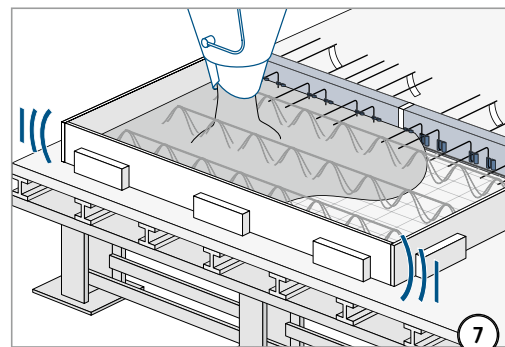
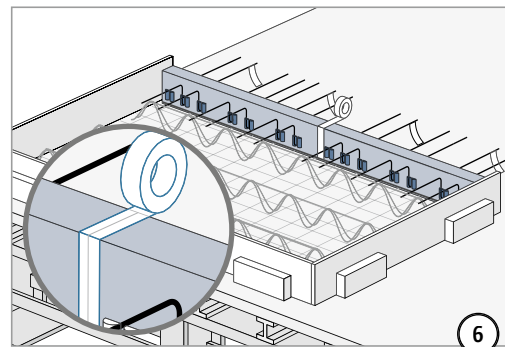
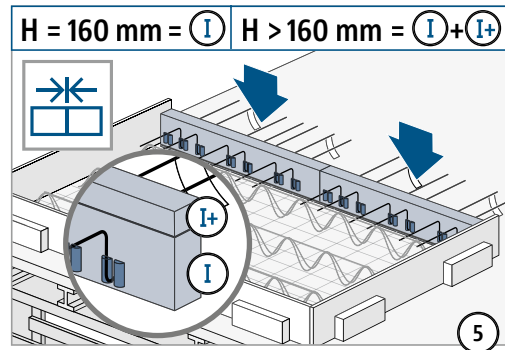
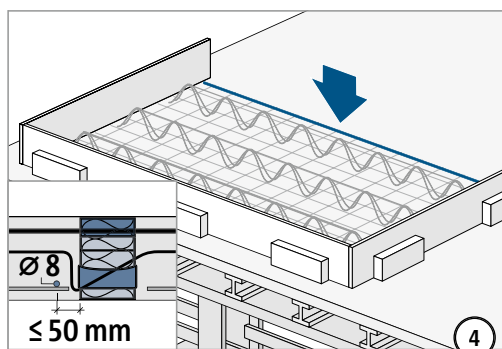
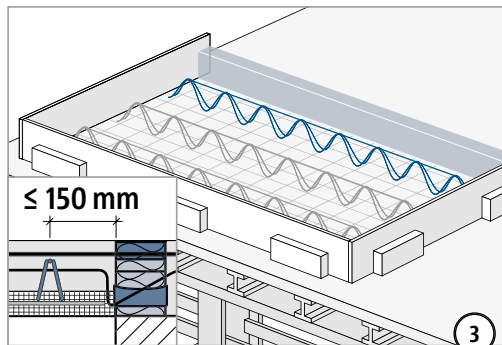
Reinforced concrete – reinforced
concrete

Installation instructions for prefabricating plant

type K-F



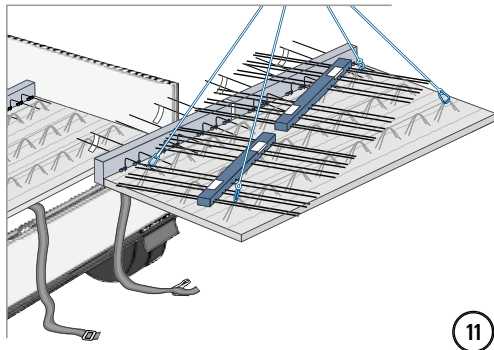
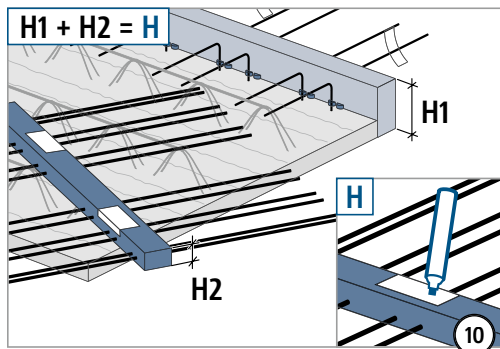
H	=	I	+	I+	+	II
160 mm	=	114	+	-	+	46
180 mm	=	114	+	20	+	46
190 mm	=	114	+	30	+	46
200 mm	=	114	+	40	+	46
⋮		⋮		⋮		⋮
250 mm	=	114	+	3 · 30	+	46



XT/T
type K-F

Reinforced concrete – reinforced
concrete

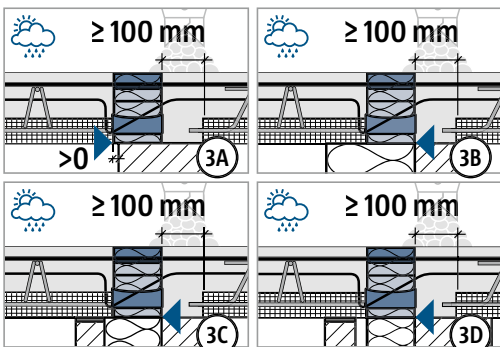
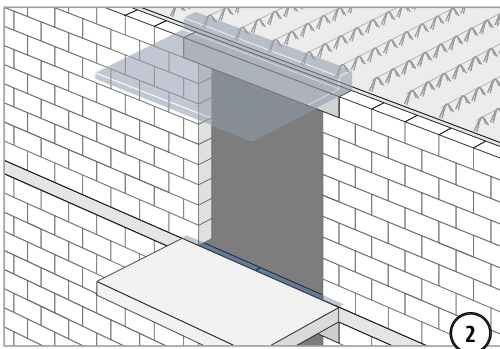
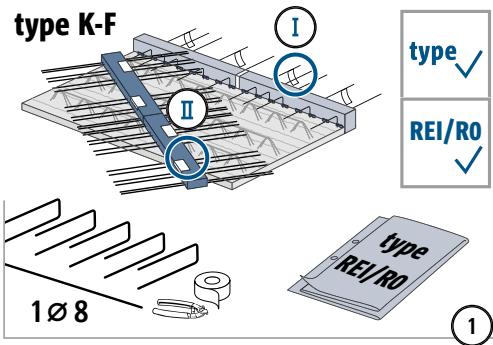
Installation instructions for prefabricating plant

XT/T
type K-FReinforced concrete – reinforced
concrete

Installation instructions – prefabricated part at construction site

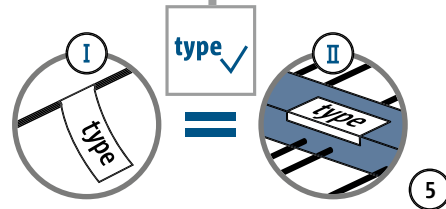
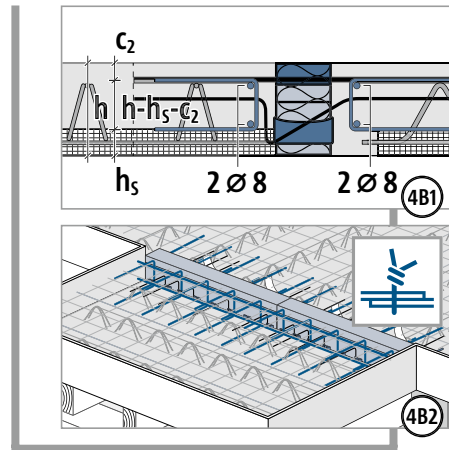
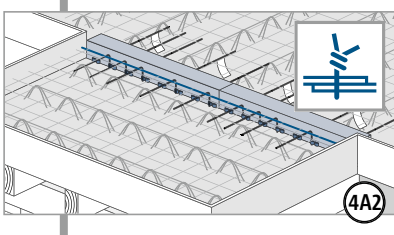
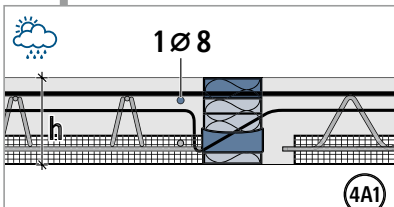
XT/T
type K-F

Reinforced concrete – reinforced
concrete

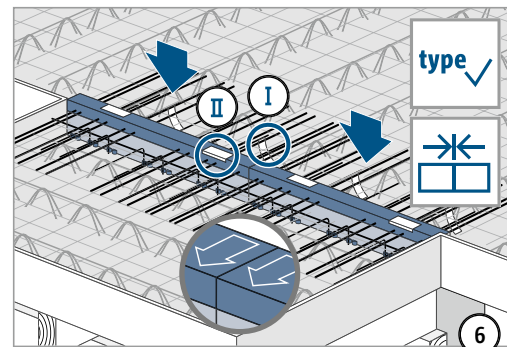


Without fail fill compression joint with in-situ concrete! Joint width ≥ 100 mm.

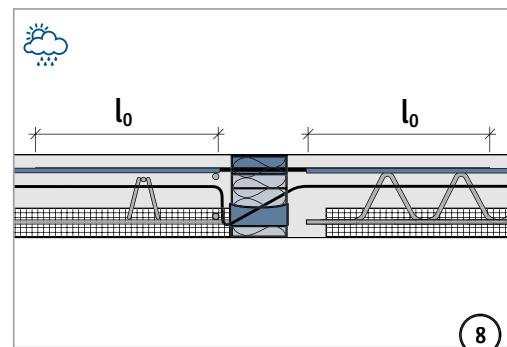
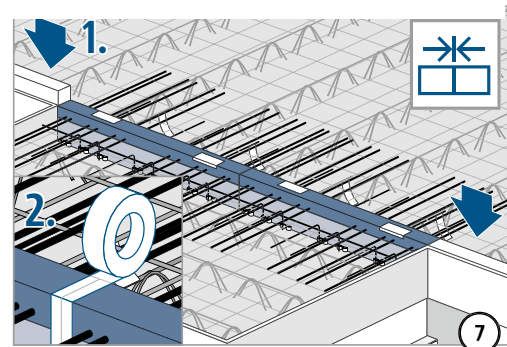
A		B
$h \leq 170$ mm	T type K-F	$h > 170$ mm
$h \leq 180$ mm	XT type K-F	$h > 180$ mm



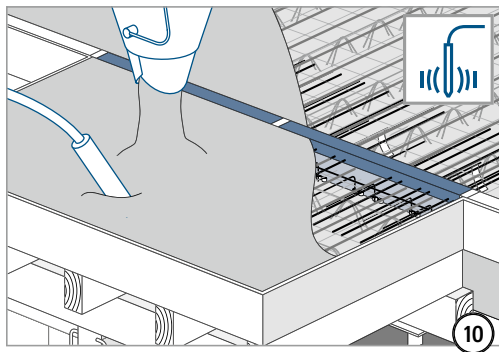
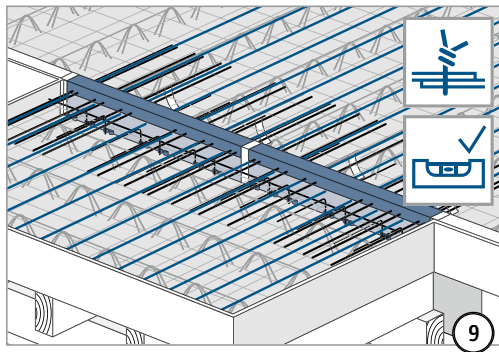
Note same type designation.



Install upper part ② always with shear force bars!



Installation instructions – prefabricated part at construction site



XT/T
type K-F

Reinforced concrete – reinforced
concrete