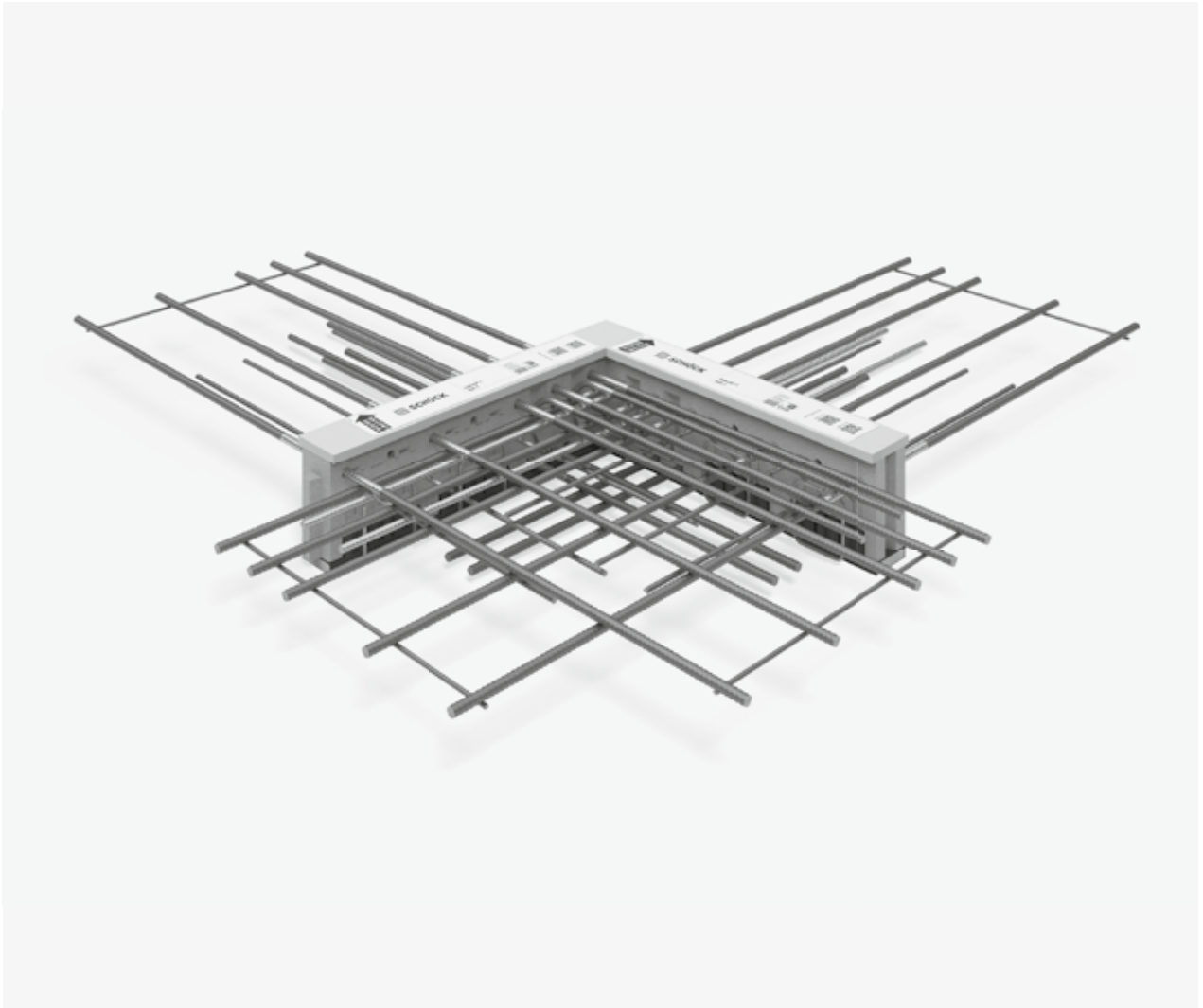


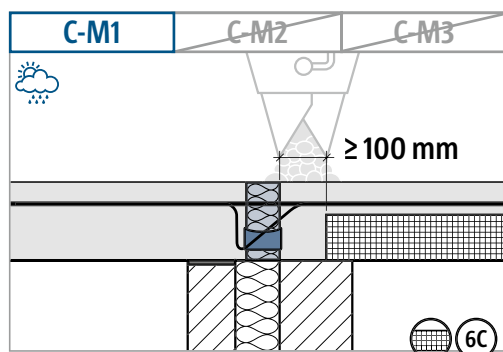
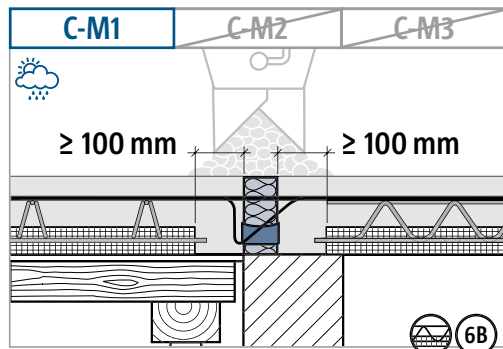
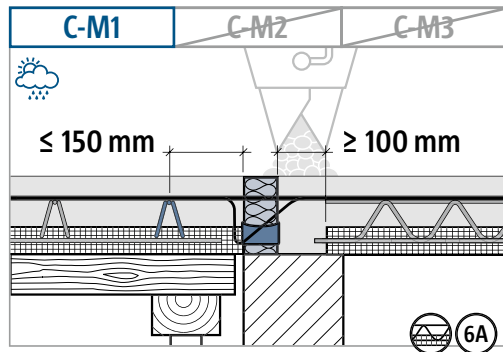
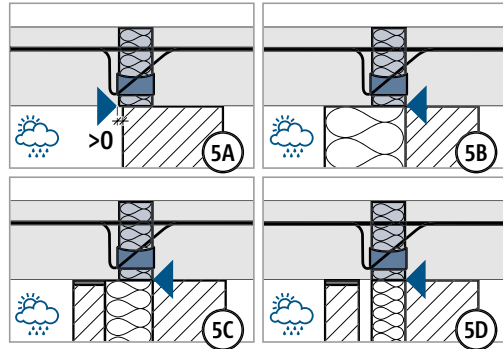
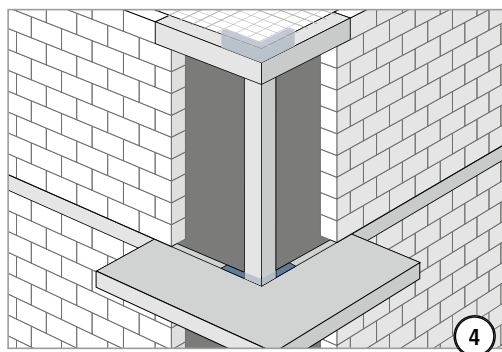
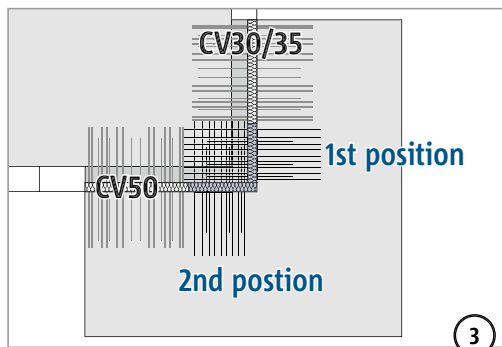
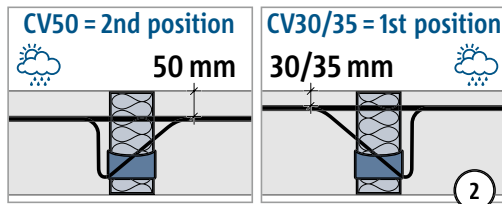
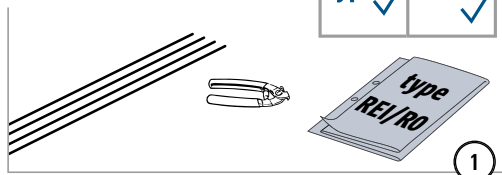
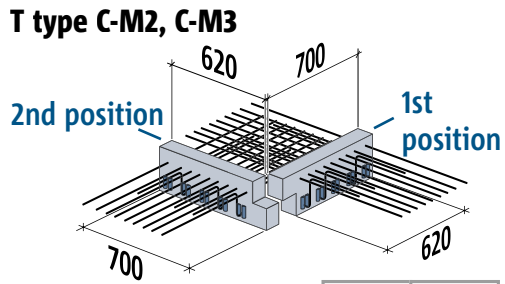
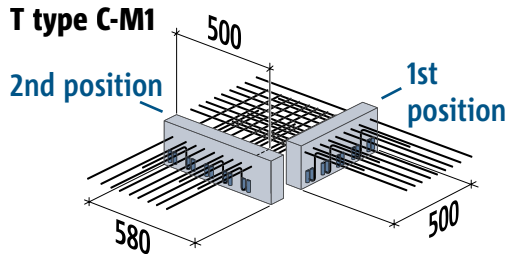
Schöck Isokorb® T type C



T
type C

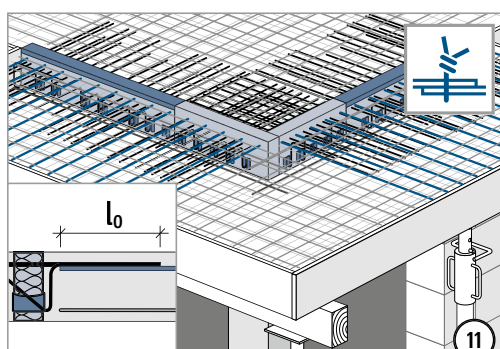
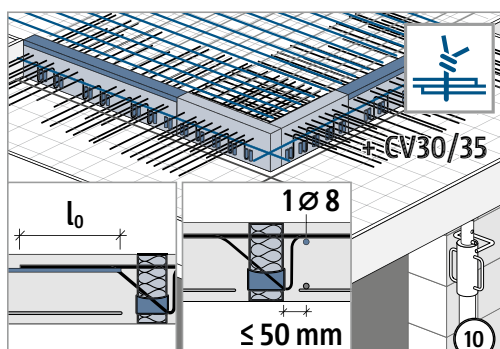
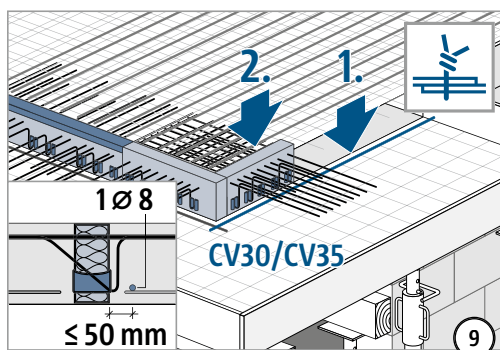
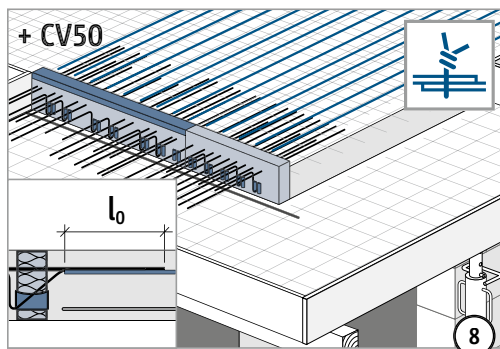
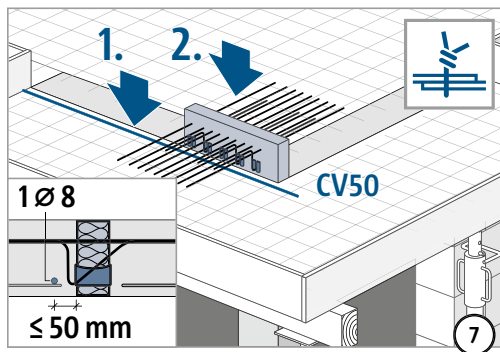
Reinforced concrete – reinforced
concrete

Installation instructions



6A-6C Without fail fill compression joint with in-situ concrete! Joint width ≥ 100 mm.

Installation instructions

T
type CReinforced concrete – reinforced
concrete