

## Schöck Isokorb® CXT type K-F

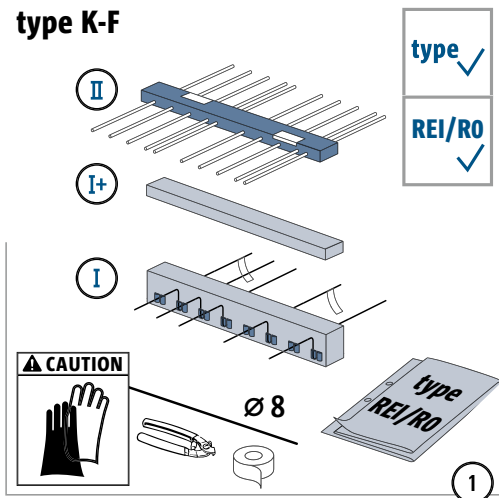


CXT  
type K-F

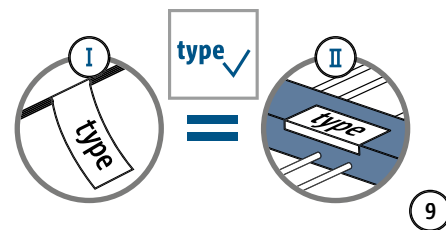
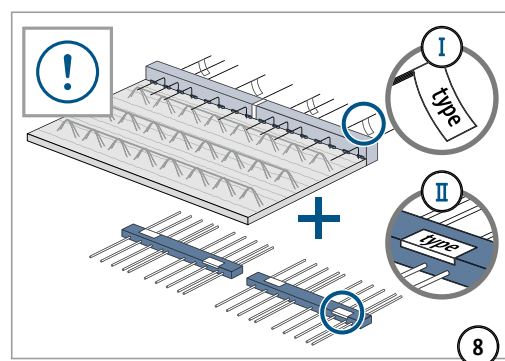
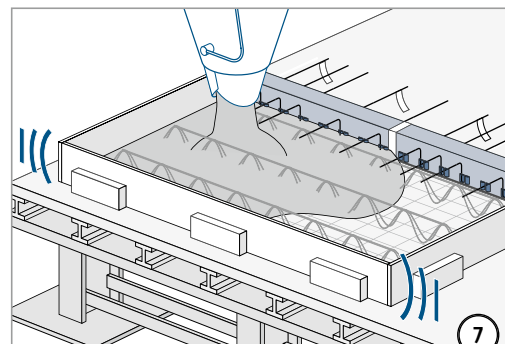
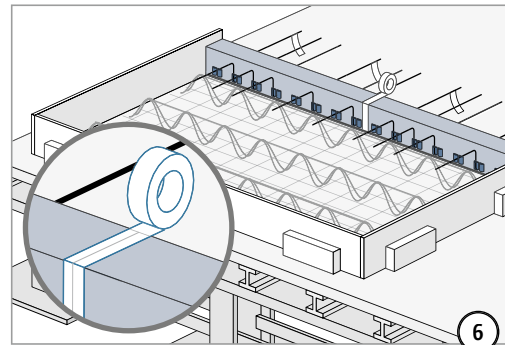
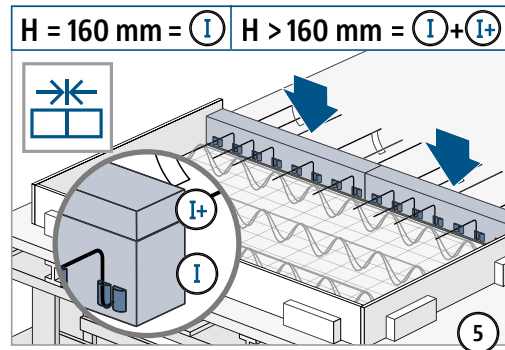
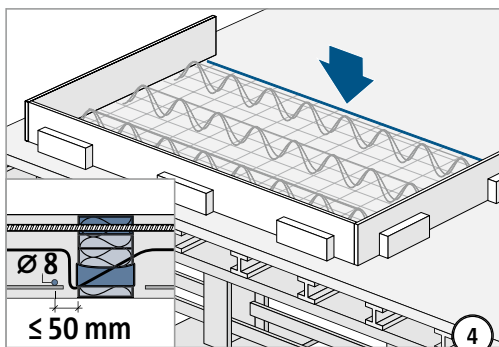
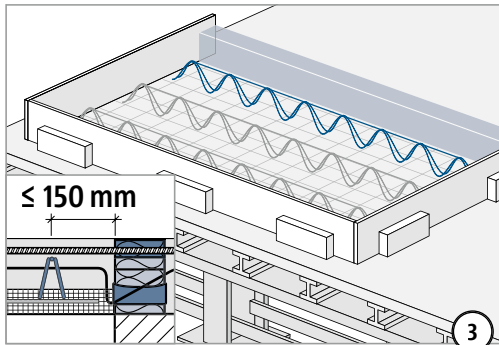
Reinforced concrete – reinforced  
concrete

# Installation instructions for prefabricating plant

## type K-F



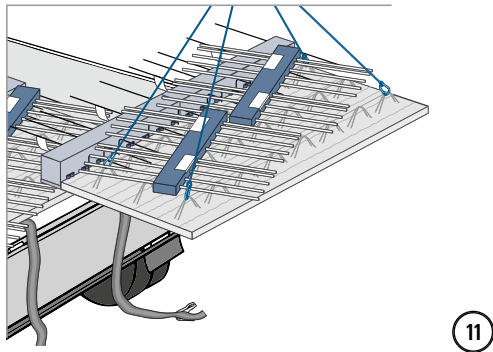
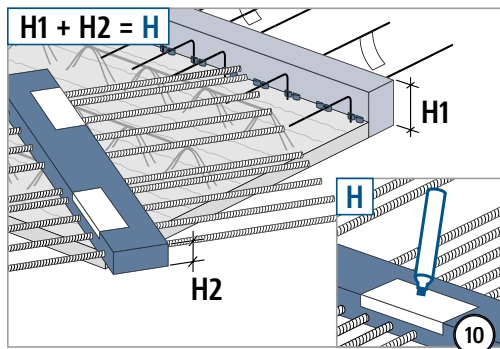
H	=	I	+	I+	+	II
160 mm	=	114	+	--	+	46
180 mm	=	114	+	20	+	46
190 mm	=	114	+	30	+	46
200 mm	=	114	+	40	+	46
⋮		⋮		⋮		⋮
250 mm	=	114	+	3 · 30	+	46



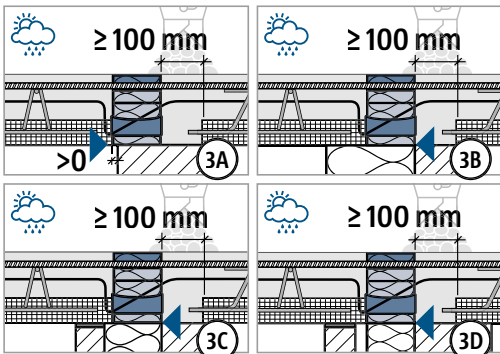
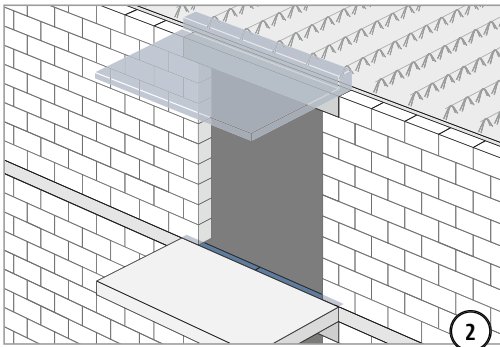
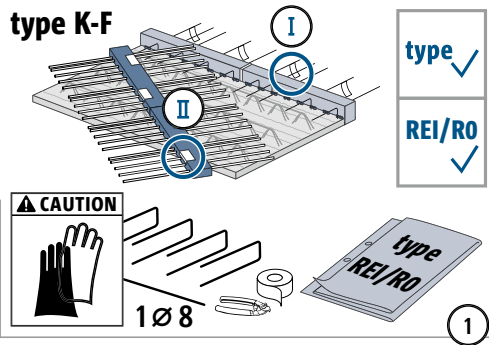
CXT  
type K-F

Reinforced concrete – reinforced  
concrete

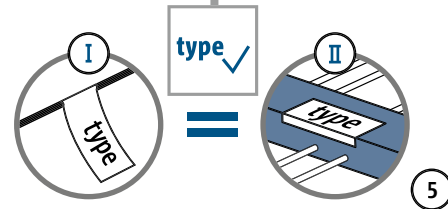
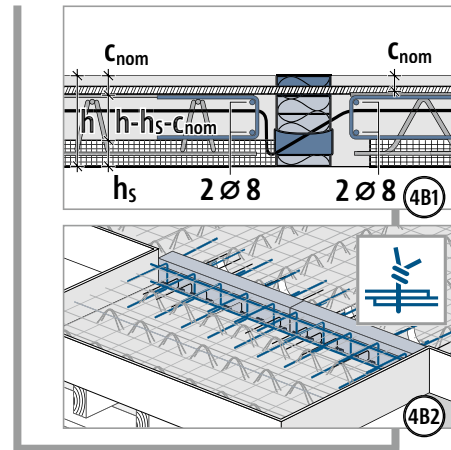
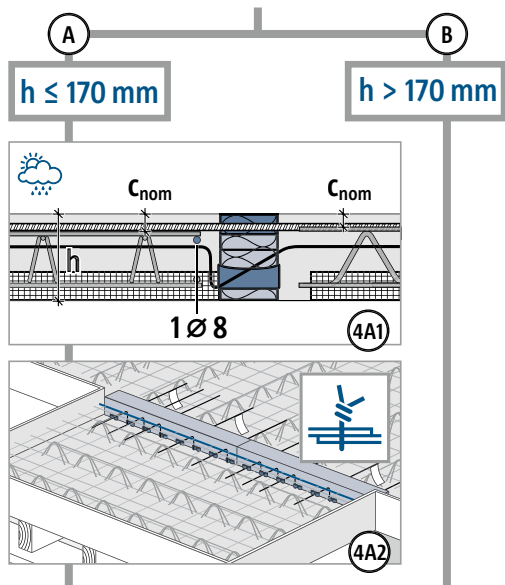
## Installation instructions for prefabricating plant

CXT  
type K-FReinforced concrete – reinforced  
concrete

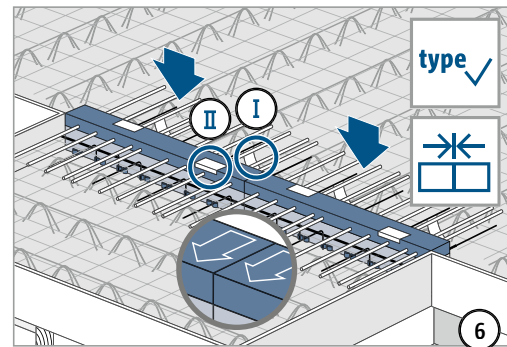
## Installation instructions – prefabricated part at construction site



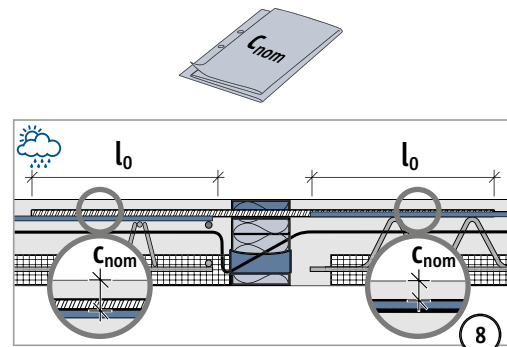
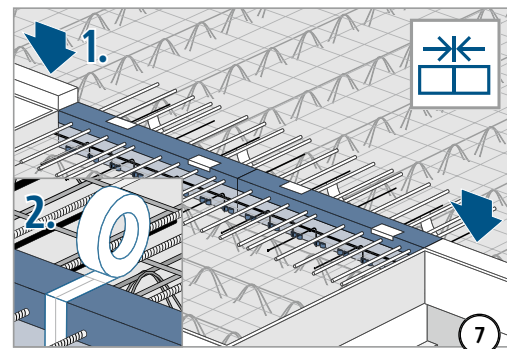
Without fail fill compression joint with in-situ concrete! Joint width  $\geq 100$  mm.



Note same type designation.



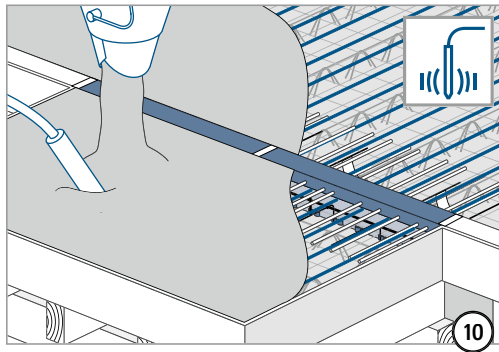
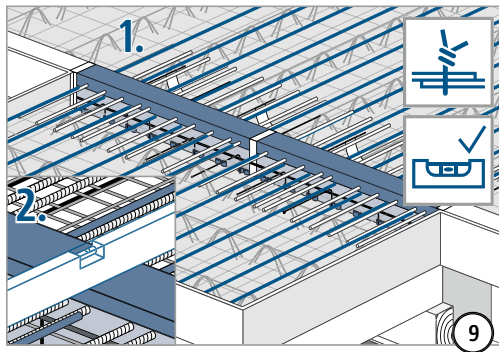
Install upper part II always with shear force bars!



CXT  
type K-F

Reinforced concrete – reinforced  
concrete

## Installation instructions – prefabricated part at construction site

CXT  
type K-FReinforced concrete – reinforced  
concrete