



Your link to the facade.

Thermal bridge free anchors for sandwich and double walls.

Schöck Isolink® type TA-HC and TA-DC

- ▶ Thermal bridge free anchor
- ▶ No restrictions in design
- ▶ Easy to install
- ▶ Certified quality

Thermal bridge free anchor

- ▶ Due to low thermal conductivity ($\lambda = 0,07 \text{ W/m} \cdot \text{K}$) no correction value of the undisturbed U-value of the wall is required
- ▶ High thermal performance as insulation thickness up to 350mm is possible

No restrictions in design

Suitable for all applications of sandwich- and double walls

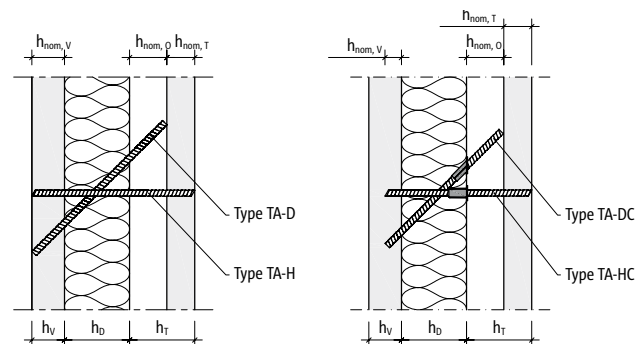
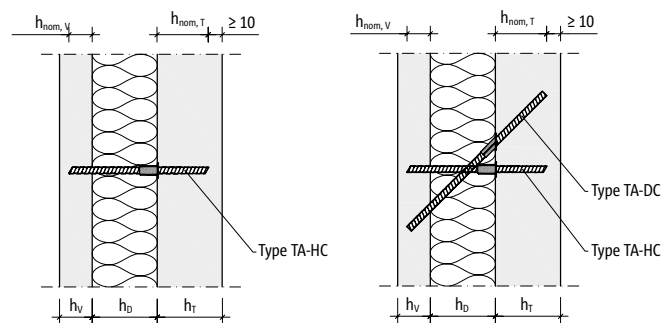
- ▶ Supported or non supported facade shell
- ▶ All types of insulation
- ▶ All types of concrete quality
- ▶ Two variants: either only horizontal anchors or horizontal and diagonal anchors for the transmission of the shear load resulting from the facade shell
- ▶ Max. wall dimensions: up to 6 x 12 m (h x w)
- ▶ Max. insulation thickness: 350 mm
- ▶ Fire wall approved (REI120-M)

Easy to install

- ▶ Easy pre-drilling of insulation and insertion of anchor
- ▶ Depth stop ensures correct position of anchor
- ▶ No cutouts required

Certified quality

- ▶ Schöck Isolink® is approved by the German DIBt and certified by the German Passive House
- ▶ Customer-specific testing of the bonding between Isolink anchors and the respective concrete



Schöck Bauteile GmbH
Vimbucher Strasse 2
76534 Baden-Baden, Germany
Telephone: +49 7223 967-144
Fax: +49 7223 967-7634
export@schoeck.com
www.schoeck.com

 **Schöck**
Dependable by design