

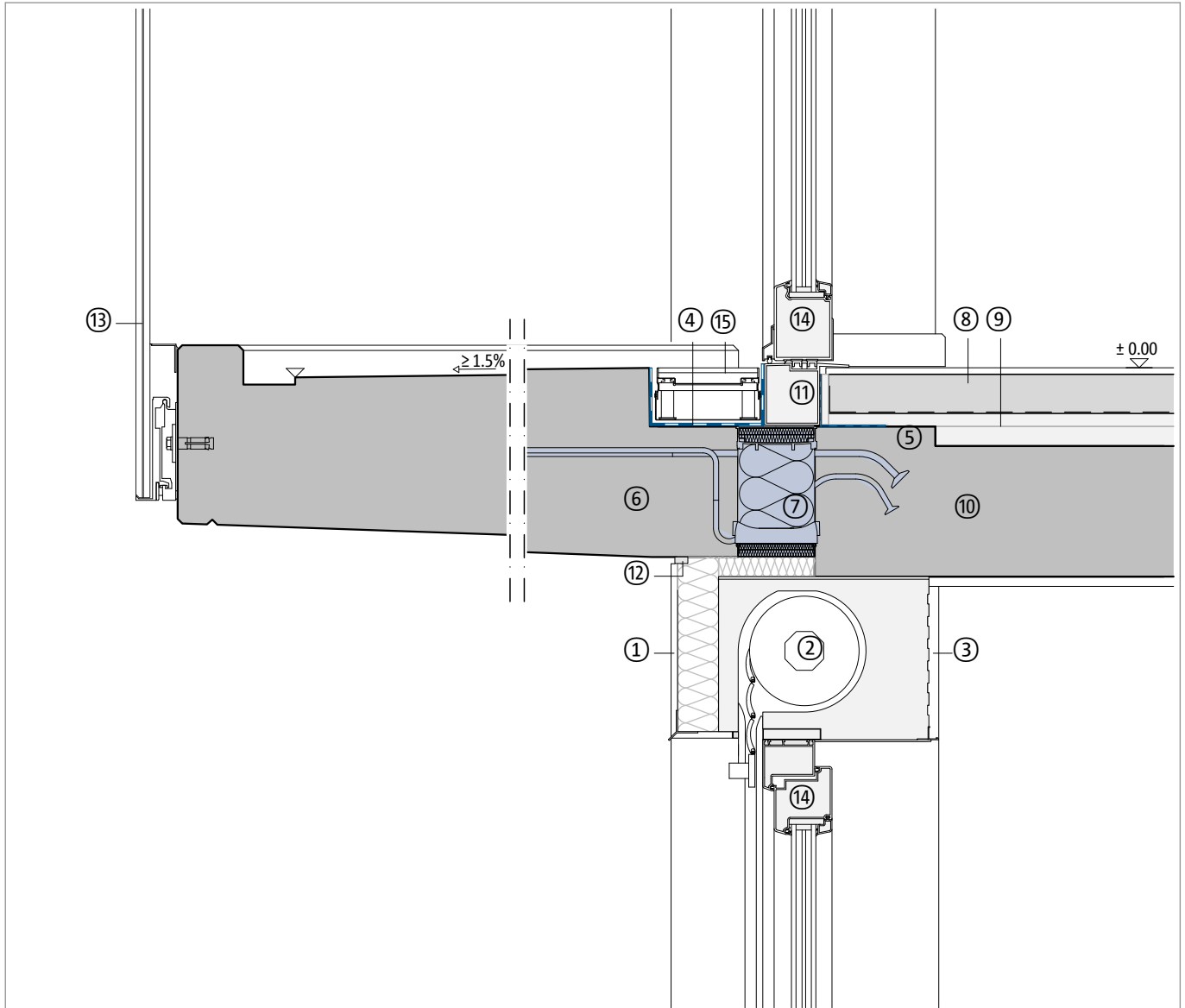
Thermally separated ceiling connector

Prefabricated reinforced concrete balcony, upward height offset

Exterior wall with thermal insulation composite system

Detailed view above door | under window with roller shutter

DCIK 15-03-TFR | M 1 : 10



Component, example	
①	Thermal insulation composite system
②	Roller shutter, thermally insulated box
③	Interior plaster
④	Insulation
⑤	Reinforced concrete overlay, based on statics
⑥	Precast reinforced concrete, waterproof concrete
⑦	Schöck Isokorb® XT type K-O
⑧	Floor covering, floating screed
⑨	Impact sound and thermal insulation

Component, example	
⑩	Reinforced concrete ceiling
⑪	Threshold, thermally insulated
⑫	Plastering profile, joint sealing tape
⑬	Railing
⑭	Window element, door element
⑮	Facade channel

Note: This detailed view is a general, non-binding planning proposal which only provides a schematic overview of the construction work. The planner and processor are responsible for checking applicability and completeness for each construction project. Adjacent components are only shown schematically. All specifications and assumptions must be adapted or coordinated to local conditions. The respective technical specifications of the data sheets, processing guidelines, standards, and system approvals must be observed. Balconies, arcades, and canopies require their own statics.